

PRODUCT CATALOG

2024



-ELEKTROLIND-



E-T-A YLIVIRTASUOJAT



Vuonna 1948 perustettu Saksalainen yritys.

E-T-A on johtava ylivirtasuojien valmistaja ja kehittäjä maailmassa. E-T-A:n laajassa tuotevalikoimassa on ylivirtasuojarakaisuja moniin käyttökohteisiin, kuten ajoneuvo-, prosessi- ja automaatioteollisuudelle, sairaalalaitteisiin, pienkoneisiin, heavy-duty sovelluksiin jne.

Uusimpana tuotehaarana E-T-A on kehittänyt todella laajan valikoiman elektronisia ylivirtasuojia, jotka tarjoavat huomattavasti paremmat tekniset ominaisuudet verrattuna perinteisiin ylivirtasuojiin.

E-T-A:n tuotteet ovat läpikäyneet tarkan tuotekehitysvaiheen ja ne täyttävät tiukimmatkin laatuvaatimukset. Tuotteet ovat tärkeimpien hyväksymislaitosten, kuten VDE:n, UL:n ja Lloyds:n hyväksymiä.

Virallisena jälleenmyyjänä Suomessa voimme tarjota aina uusimmat tuotetiedot, edullisimmat hinnat sekä nopeat ja luotettavat toimitukset.



BEDIA ANTURITEKNIikka



Vuonna 1986 perustettu vahvasti kasvava antureita valmistava yritys.

Korkealaatuiset ja luotettavat anturit ovat olleet maailmalla suuri menestys.

Bedian tuotteisiin luottavat maailman suurimmat moottori- ja ajoneuvovalmistajat.

Bedian tuotteilla varmistat ajoneuvosi luotettavan toiminnan. Myös tulevaisuudessa saat Bediaalta teknisesti edistyksellisimmät tuotteet.

Olemme virallinen jälleenmyyjä Suomessa, joten saat kauttamme uusimmat tuotetiedot, edullisimmat hinnat ja nopeimmat toimitukset.

Suomen Elektrolind Oy on vuonna 1995 perustettu palveleva komponenttien maahantuojaja ja sähköjärjestelmien valmistaja. Komponenttivalmistajien virallisena edustajana Suomessa voimme tarjota asiakkaillemme nopean ja tehokkaan palvelukokonaisuuden.

Ajan tasalla olevat tuotetiedot takaavat, että löydätte uusimmat innovatiiviset tuotteet sivuiltamme. Vankka tekninen osaamisemme mahdollistavat asiantuntevan palvelun ja oikean teknisen ratkaisun löytämisen, "tiedämme mitä myymme".

LUOTETTAVA KUMPPANI

kun laatu ja toimitusvarmuus ratkaisee

BRIGADE[®]

BRIGADE KAMERAJÄRJESTELMÄT

Chris Hanson-Abbott perusti vuonna 1976 Brigade PLC:n.

Missiona on vähentää liikenteessä tapahtuvia onnettomuuksia ja sitä kautta pelastaa ihmishenkiä.

Brigade on kohonnut maailman ykköstuotemerkiksi ajoneuvojen turvallisuutta lisäävien järjestelmien kehittäjänä ja toimittajana.

Brigaden kamerat (myös HD teräväpiirtona), tutkat ja summerit on suunniteltu kestämään pitkäaikaista kovaa käyttöä ja niiden käyttöominaisuudet ovat huippuluokkaa. Niiden avulla voidaan välttää monet yllättävät tilanteet, jotka johtuvat huonosta valaistuksesta, ahtaista tiloista tai kevyestä liikenteestä ajoneuvon ympärillä.

Virallisena jälleenmyyjänä Suomessa voimme tarjota aina uusimmat tuotetiedot, edullisimmat hinnat sekä nopeat ja luotettavat toimitukset.



miunske[®]

MIUNSKKE

Vuonna 1996 perustettu Saksalainen sähkökomponenttien valmistaja.

Vahvasti kasvava yritys valmistaa mm. releitä, relepohjia ja monipuolisia CAN-järjestelmiä. Erityisen edistykselliset ovat Miunskken CAN-kytkintaulut jotka sopivat kaikkiin ajoneuvoihin.

Miunske on myös suuri pienkomponenttien toimittaja. Tuotevalikoima on valtava: sulakkepohjia, sulakkeita, liittimiä, akkupääkytkimiä, akkujen ja starttimoottorien napasuojia ym.

Virallisena jälleenmyyjänä Suomessa voimme tarjota aina uusimmat tuotetiedot edullisimmat hinnat sekä nopeimmat toimitukset.



- ELEKTROLIND -

Suomen Elektrolind Oy

Lautamiehentie 3, 02770 ESPOO

Puh. +358 9 512 2344

elektrolind@elektrolind.fi • www.elektrolind.fi

PIONEERING HVAC SYSTEMS

WELCOME TO THE NEW COMFORT ZONE

We at AURORA are an international manufacturer of state-of-the-art HVAC systems and components for on-road and off-road vehicle series. We effectively accelerate technical progress with intelligent solutions for thermal comfort that are ecologically trendsetting.

Our HVAC systems and components for on-road and off-road vehicles help to maximize operator comfort while minimizing energy consumption. Our pursuit to make the best systems and components challenges us in development and production day after day. We are continuously seeking for pioneering individual series solutions. Worldwide.

OUR CORE COMPETENCE

Your Specialist for heating, ventilation and air conditioning of light and heavy-duty vehicles:

- On and off-highway vehicles and machines produced in small to medium numbers
- Your premium partner for development and series

OUR SELF-CONCEPT

Your Specialist for maximum climate comfort and minimum energy consumption



OUR PRODUCTION COMPETENCE

SUSTAINALBE MAXIMUM PERFORMANCE

Our high specialization shows not only in our engineering capabilities but also in our production processes. Contrary to our competitors, at AURORA we both develop and produce the core components for our integrated system solutions. The high proportion of in-house production paired with a high-performance purchase department helps us develop custom-made system solutions and in deliver them as required.

As a leading supplier, we are continuously investing in new technologies and production methods, thus saving resources, and meeting our customers' increasing quality standards. Sustainability and environmental protection have always been an inherent parts of our production processes, as well as our certified, effective quality management.

The name AURORA is considered synonymous with quality. All production possibilities and processes are certified and tested for each location. At whatever location our products are made, our processes ensure that you always receive the quality that you expect.



TRAILBLAZING DEVELOPMENTS

INNOVATION LEAPS

Trailblazing innovations have always been a part of AURORA’s company culture – from developing the first heater for buses, ever. Learn how today we accelerate HVAC progress for special vehicles as well as on-road and off-road mobile machinery: from “Thermal Comfort” to innovative cluster projects.

In collaboration together with our customers, we design, develop and manufacture heating, ventilation, and air-conditioning systems and components. Drawing upon our near century of expertise, we understand the unique expectations that exist within each industry and each application. Our solutions continue to accomodate almost every cabin configuration—and performance demand.

Aligning a dedicated team of thermal management specialists supported by our professional simulation and test facilities enables AURORA to design thermal management solutions to meet specific customer expectations and then optimize their integration into various vehicle classifications. Our vertically integrated production with enormous capacity enables us to design custom-fit system solutions specially for every cabin — all this delivered through setting in motion a demand-driven supply-chain.



TRAILBLAZING DEVELOPMENTS

INNOVATION LEAPS

OUTPERFORMANCE IN DEVELOPMENT

Concept, Creation, Completion – Three Tiers of our Product Development



COMPONENT DEVELOPMENT WITH TESTING

We develop and manufacture the core components for heating and air conditioning in-house. This is the only way to ensure that our components and systems meet the special requirements of our heavy-duty customers.

SYSTEM DEVELOPMENT WITH TESTING SIMULATION AND SOFTWARE

The cure for thermal comfort is revealed by organizing the interplay between components in the system in such a way that optimal outcomes in driving mode are reached. To accomplish this, we have invested in the calculation tools for components and simulation tools, which test this interplay across various weather conditions over an entire year. Thermodynamics, fluid mechanics, strength, and acoustics are investigated with models, that simulate the whole vehicle as well throughout a yearly cycle.

APPLICATION TECHNOLOGIES WITH FIELD TESTS

Our application technologies, including test chambers, in all of our locations achieve the target of pinpointing specific vehicle packaging, and meeting the desired functionality. Here, we work in close collaboration with our customers as strategic development partners.

Foundational for all this is our product development process (PDP), which draws upon our many years of experience, including best practices, benchmarks, and lessons-learned to achieve exactly what customers expect.

TRAILBLAZING DEVELOPMENTS

OUR TEST FACILITIES

An experienced team of HVAC specialists as well as our state-of-the-art simulation and test facilities enable AURORA to optimize the development of HVAC systems and their integration into different vehicle types based on customer-specific requirements.

Our HVAC systems are tested to the limit before the start of production. For this purpose, at AURORA Group we have state-of-the-art test facilities for various types of vehicles and components. In Germany and the Netherlands, we have climate halls suitable for vehicles of up to 15 m in length and 3.3 m width for conditions ranging from -46°C to +50°C (-50.8°F to 122°F). Our division, AURORA North America offers a climate hall, too.

SPECIFICATIONS OF OUR CLIMATE HALLS

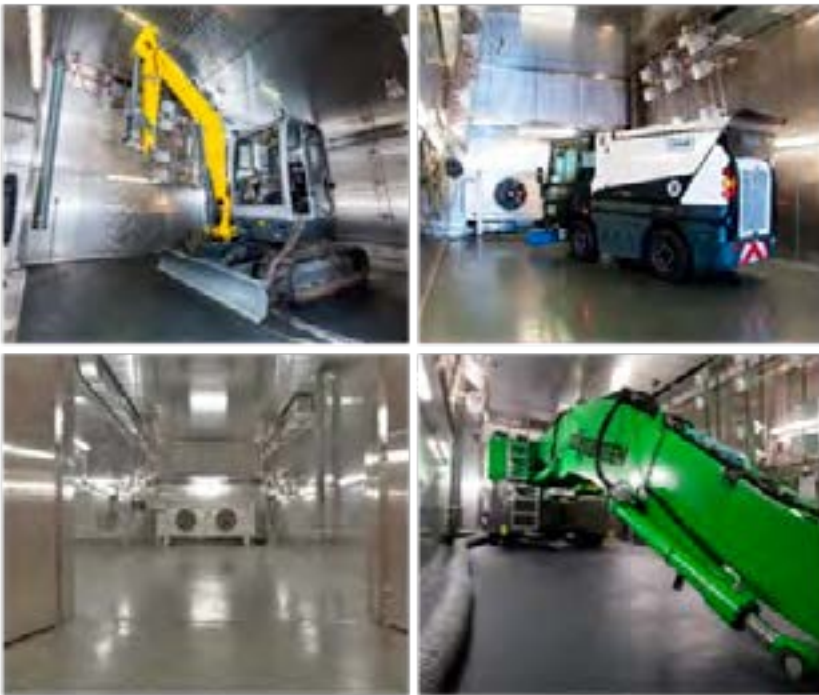
Technical Data	Climate Hall AURORA DE-Mudau	Climate Hall AURORA NL-Nuenen	Climate Hall AURORA North America Grand Rapids, Michigan
Cooling	Up to -10°C / 14°F (standard measurement) Up to -46°C / -50.8°F (special measurement)	Up to -20°C / -4°F	Up to -30°C / -22°F (standard measurement)
Heating	Up to 50°C / 122°F	Up to 40°C / 104°F	Up to 50°C / 122°F
Moisturization	Up to 70% relative humidity	Up to 95% relative humidity	70% relative humidity
Solar simulation	IR emitter Performance < 1500W/m²	Not available	<1200 W/m²
The climate halls are suitable for all kinds of vehicles and cabs.			
	Climate Hall AURORA DE-Mudau	Climate Hall AURORA NL-Nuenen	Climate Hall AURORA North America Grand Rapids, Michigan
Length of vehicle	< 15.0 m	< 15.0 m	< 6.0 m
Height of vehicle	< 4.0 m	< 4.5 m	< 3.0 m
Width of vehicle	< 3.5 m	< 4.0 m	< 3.5 m
Technical measurement equipment	Technical equipment for measuring the cooling and heating capacity of HVAC units with solar simulation.	Not available	Technical equipment for measuring the cooling and heating capacity of HVAC units with solar simulation.



TRAILBLAZING DEVELOPMENTS

IMPRESSIONS TEST FACILITIES

AURORA Germany



AURORA Netherlands/ AURORA North America



TRAILBLAZING INNOVATION

THERMAL COMFORT

Trailblazing innovations has always been a part of AURORA's company culture – from developing the first heater for buses, ever to designing the latest HVACs for electric vehicles, and developing cutting edge validation techniques. Learn how today we accelerate HVAC progress for special vehicles as well as on-road and off-road mobile machinery, from "Thermal Comfort" to innovative cluster projects.

MAXIMUM FEEL-GOOD CLIMATE CAN BE USED

Our innovative "Thermal Comfort" method is trailblazing for the future development of custom-fit HVAC solutions. Instead of cost-intensive special designs, we rely on our state-of-the-art simulation method to exactly calculate the feel-good climate in the operator's cab, thanks to a special measuring manikin with hundreds of sensors.

Based on the acquired data, we develop HVAC solutions that are perfect for the individual application. Then, the corresponding requirements are matched standard components, resulting in perfectly efficient solutions with the best price-performance ratio.

INDIVIDUAL DEVELOPMENT STAGES:



TRAILBLAZING HVAC SYSTEMS

FOR ON-ROAD AND OFF-ROAD VEHICLES

As a well-established development and engineering company, we deliver customized HVAC solutions for well-known customers from a broad range of industrial sectors. We always embrace new challenges, whatever the industrial sector. Please contact us at any time.



GLOBALIZED ACTIVE

MUCH VALUED ALL OVER THE WORLD

With approx. 500 members in 5 national locations, we serve our customers from all over the world from different branches of commercial and offroad mobile machinery. Each location contributes their expertise to the group, thus always ensuring the customer's best benefits. AURORA is well-known for innovative developments and an extraordinarily broad range of products.

Our worldwide presence is one of our strengths because it ensures that the various standards, regulations, wishes, and needs of our customers are met, in every country and on every continent.

The different locations are continuously being modernized and expanded to assist our customers at their best. The name AURORA is synonymous with quality. At whatever location our products are made: our processes ensure that you always receive the quality that you expect.



WE LOOK FORWARD TO SERVING YOU



AURORA Konrad G. Schulz GmbH & Co. KG

Joachim-Schulz Str. 4;
69247 Mudau, Germany
+49 (0) 6284 9202-0
info@aurora-eos.com



AURORA Netherlands B.V.

Gulberg 10;
5674 TE Nuenen Netherlands
+31 (0) 40 2092100
aunl@aurora-eos.com



Electronic Equipment B.V.

Schoutlaan 8;
6002 EA Weert Netherlands
+31 495 538 809
info@elec-equip.nl



AURORA North America, LLC.

4311 Patterson Ave SE;
Grand Rapids, MI U.S.A. 49512
+1 (616) 698-8545
auna@aurora-eos.com



AURORA Isı Araçları San. Ve Tic. Ltd. Şti.

Velimese OSB Mah 241.Sok No:6/1
59930 Ergene/Tekirdag/TURKİYE
+90 282 502 58 78
turkey@aurora-eos.com



SUSTAINABLY AHEAD

SUSTAINABILITY - A LASTING CHALLENGE

For AURORA, sustainability means taking on responsibility in all three dimensions of sustainability: economic, ecological, and social. AURORA is, of course, a part of society. We are fully aware of our responsibility towards our fellow human beings, our employees, and our environment. For this reason, sustainability is deeply entrenched in AURORA's DNA and firmly rooted in its corporate strategy and policy.

- We make lasting, risk-minimizing decisions. Our long company history is both incentive and commitment to lead our company to a prosperous future.
- Being innovation-driven, we develop trailblazing, environmentally friendly solutions for cab, full-vehicle, and bus and coach applications for example, the development of our highly efficient heat pump BOREALIS for electric buses leads to a decrease in the annual energy consumption for heating and climatization of up to 50%.
- We pursue a strategy that goes far beyond eco-friendly product solutions. Our environmental and energy policies have proven successful over and over again.
- We are keenly aware of our social responsibilities. Therefore, we have strict compliance regulations that are effectively implemented.

Our Environmental and Energy Policies

- Comprehensive environmental protection is a key factor in our company philosophy. We analyze our company's impacts on and consequences for our environment and keep identifying potential for improvement. This is done by an on-going review of what we do and how we do it.
- All employees are adequately trained to increase their environmental awareness. We aim to protect our environment during every individual production step. Our environmental management system is certified according to ISO 14001. This does not only apply to AURORA Germany, but also for our three AURORA locations in North America, Turkey, and the Netherlands.



SUSTAINABLY SUCCESS

Selection of Success Stories

Environmental Management



Energy Management

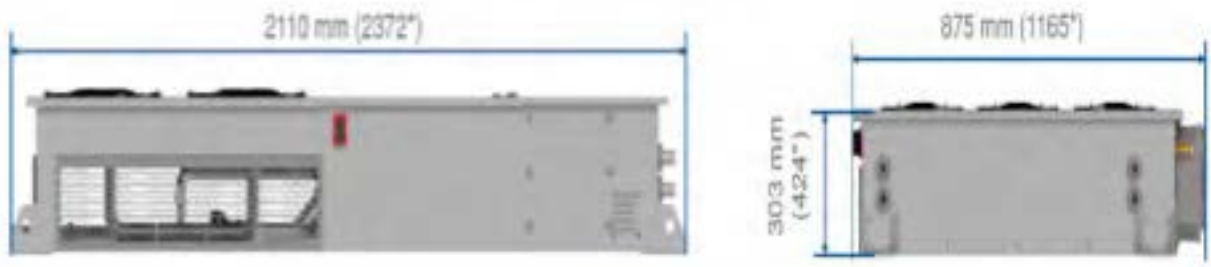


BOREALIS

FOR A E-BUS

FEATURES

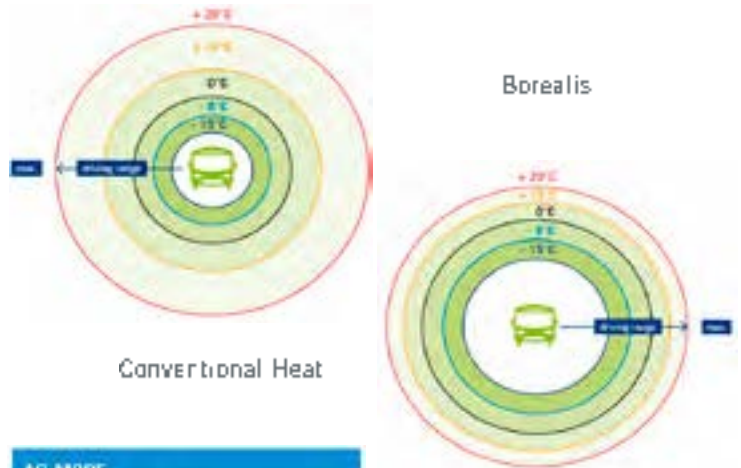
- **Heat pump system** serves as a heat-pump unlike any other
- **Roof module** compliments the rooftop heat transfer with an aerodynamically formed body and supreme airflow
- **Cab heater/interior heater** provides a strong heat source from both the driver space / anterior as well as posterior of the bus
- **Blower forced convector** spreads a wide-distribution of convection heat along the sidewall
- **Customized Defroster** ensures the front windshield is quickly freed of fog and even ice accumulation.
- **Control panel** features AURORA's specialty Automatic-Temperature Control to serve end-user desires promptly
- **Electrical HVAC System** (see pages 16 - 23) *optional*



BOREALIS FOR A E-BUS

BENEFITS

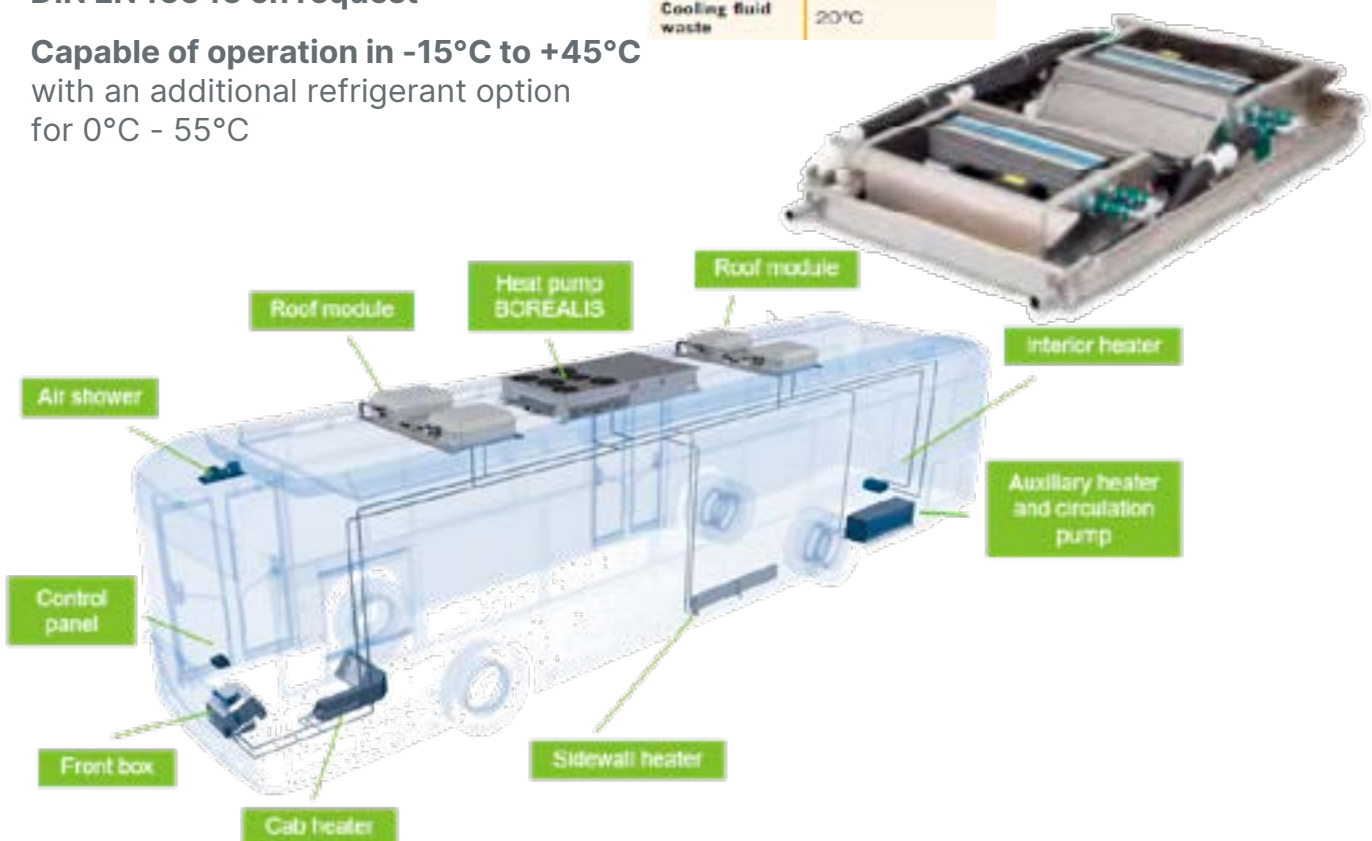
- **High Energy Efficiency** with fully-electric function
- **Flexible, Modular Design** to accommodate almost any vehicle
- **Harmonized Performance** optimized interaction between components
- **Emissions-Free**
- **Blowers Synchronized**
- **Two-Step to Stepless Function**
- **Filtration Classification Match**
- **CFD Simulations** to maximize system performance through effective component selection for best airflow performance
- **DIN EN45545 on request**
- **Capable of operation in -15°C to +45°C** with an additional refrigerant option for 0°C - 55°C



AC-MODE	
COP	2,5
Cooling Capacity	22 kW
Cooling fluid interior	4°C
Ambient	35°C / 70% r.h.

HEAT-MODE (vehicle waste heat)	
COP	3,5
Cooling Capacity	18 kW
Cooling fluid interior	45°C
Cooling fluid waste	20°C

HEAT-MODE (ambient air)	
COP	2,6
Heating Capacity	11 kW
Cooling fluid interior	40°C
Ambient	-15°C / 30% r.h.



ELECTROMOBILITY SOLUTIONS

BATTERY COOLER & HEATER

FEATURES & BENEFITS

- **Unison of performance of batteries**, this device regulates to maintain the battery's temperature within an optimal range under most all conditions.
- **Easy-to-install** thanks to modularity of design
- **Long-lasting componentry** for minimized aftermarket maintenance and thereby lower cost of ownership
- **Height of only 415mm**: the roof-mountable symmetry of this Unit makes for an absolutely ideal application underneath any aerodynamically-curved bus rooftop.
- **Diagnostics available from UDS**: enabling monitoring of system performance & variables.
- Integrated **automatic coolant deairation system** designed for smooth, uninterrupted function whenever in use

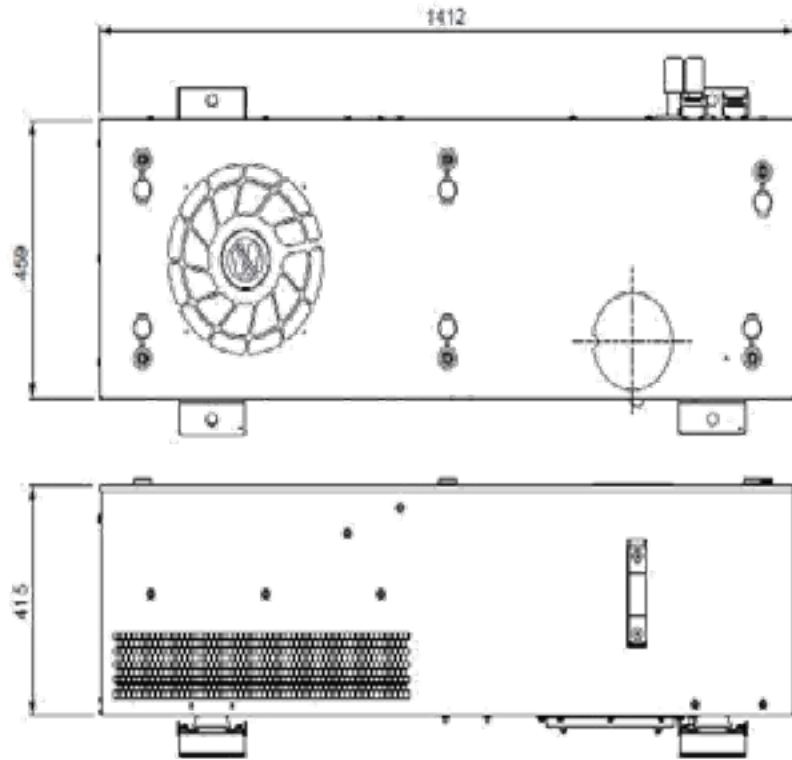
Performance		
	VS02 - 4 kW	VS03 - 7 kW
Cooling Capacity ⁽¹⁾	4.2 kW	6.9 kW
Heating Capacity	1.2 kW @ 230 V	1.2 kW @ 230 V
Maximum Current Draw 26 V	17 A	17 A
Dimensions W x L x H	460 × 1412 × 455	804 × 1757 × 377
Weight	84 kg	98 kg.
Refrigerant	R134a	R134a
Compressor	Scroll	Scroll
Voltage	400 V - 3 phase	400 V - 3 phase
Maximum Current Draw 400 V AC	5.1 A	9.0 A
Water Pump	Max 6000 L / h at 0.4 bar	Max 6000 L / h at 0.4 bar

1 R134a evaporating 5° C condensing 50 ° C



ELECTROMOBILITY SOLUTIONS

BATTERY COOLER & HEATER



ELECTROMOBILITY SOLUTIONS

ELECTRIC, HIGH VOLTAGE HEATER

FEATURES & BENEFITS

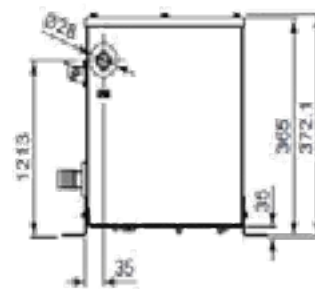
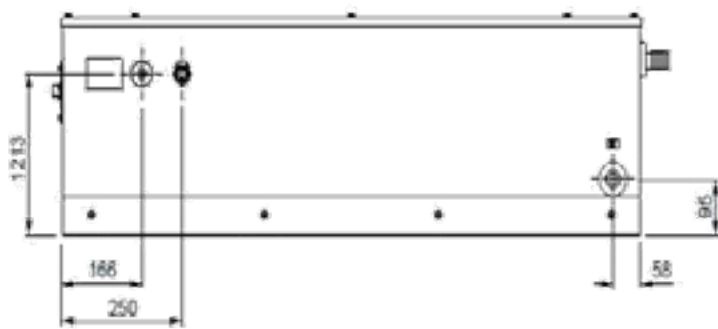
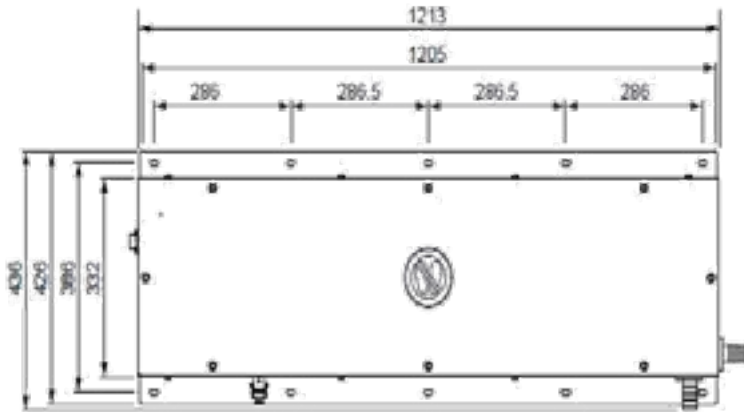
Powerful similar to its namesake, this high-voltage heater is specialized for electric vehicles. By converting electrical energy of the battery with DC voltages, ranging from 300 to 850, into abundant heat, this device provides efficient, zero-emission warming — all throughout the interior of the vehicle.

Performance		
	HV 9	HV 13
Heating Capacity	8.5 kW	13 kW
Range of Supply Voltage DC	300 - 850 V DC	300 - 850 V DC
Current Draw	300 V = 4.6 A	300 V = 8 A
	800 V = 12.5 A	800 V = 19 A
Dimensions W x L x H	436 × 1269 × 372	436 × 1269 × 372
Weight	42 kg	42 kg
Volume Flow L/h	> 1500	> 1500
Current Draw Water Pump 26V	10 A	10 A
Operating Pressure (bar)	Max. 2.0	Max 2.0



ELECTROMOBILITY SOLUTIONS

ELECTRIC, HIGH VOLTAGE HEATER



ELECTROMOBILITY SOLUTIONS

BORA HV 20

FEATURES & BENEFITS

Electrical rooftop air-conditioner, which is designed specifically to provide constant capacity for both hybrid as well as electric buses.

Performance	
Maximum Cooling Capacity ⁽¹⁾	5.7 kW
Nominal Cooling Capacity ⁽¹⁾	4.6 kW
Heating Capacity ⁽²⁾	-
Airflow ⁽³⁾	800 m ³ / h
Maximum Current Draw 540 DC	7 A
Maximum Current Draw 26 DC	8 A
Dimensions L X W X H	1256 × 756 × 215
Weight	38 kg
Refrigerant	R134a
Compressor	Scroll
Range Of Supply Voltage DC	400 - 750 V DC

1 AHRI standard: Max: Ti 40°C, Te 35°C, r.h. 46%. Nom: Ti 27°C, Te 35°C, r.h. 46%

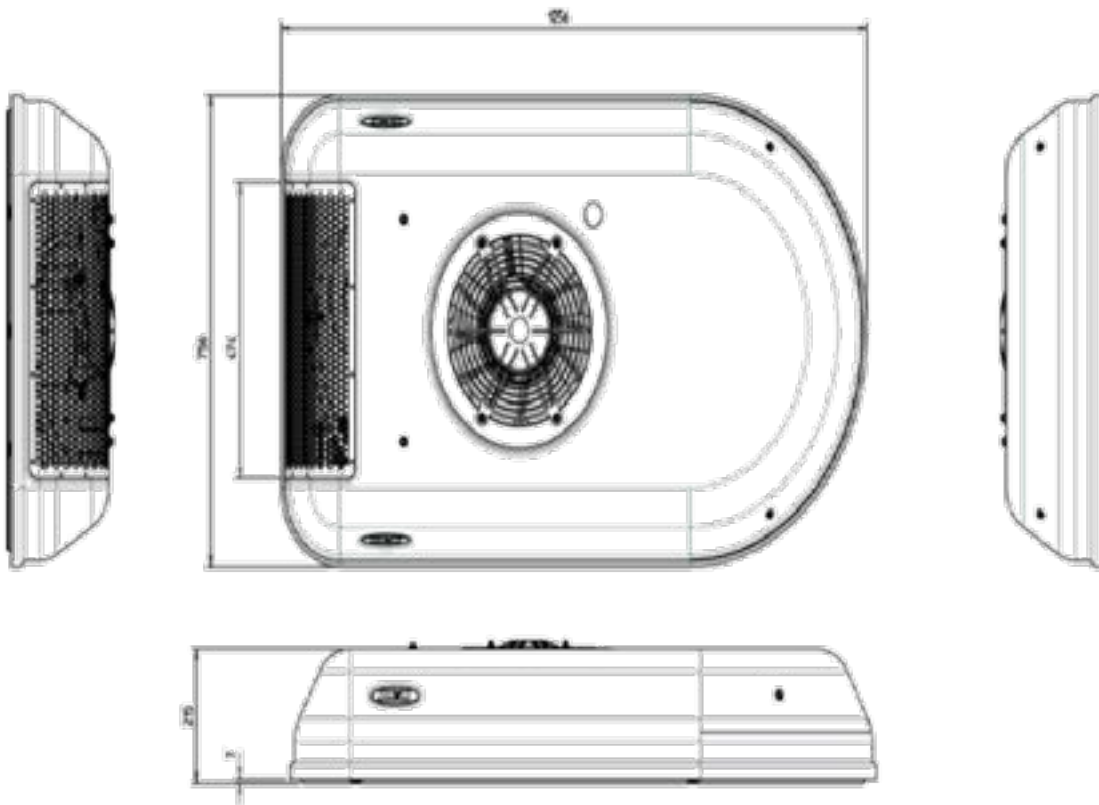
2 80°C coolant, 0°C air

3 Free blowing at standard conditions 20°C and 1,01325 Bara



ELECTROMOBILITY SOLUTIONS

BORA HV 20



ELECTROMOBILITY SOLUTIONS

BOREAS - E

FEATURES & BENEFITS

- **Steady Airflow** - Constant Cooling Capacity
- **Fresh Air** - 100% Fresh Air Supply
- **Applied Engineering** - Roof-Mounted System
- **Quiet Function** - Brushless Blowers
- **Modular** - Easy-Installation
- **Sustainable** - Lightweight & 100 Recyclable
- **No Refrigerant Pipes Installation** thanks to an integrated compressor
- **Low Cost of Operation** with Durable, Long-Lasting Components

Performance	
Maximum Cooling Capacity ⁽¹⁾	18 / 24 kW; 50 / 75 Hz
Nominal Cooling Capacity ⁽¹⁾	11 / 15 kW; 50 / 75 Hz
Heating Capacity ⁽²⁾	38 kW @ Q80
Airflow ⁽³⁾	3800 m ³ / h
Fresh air	0% — 100%
Maximum Current Draw 24 DC	63 A
Dimensions ⁽⁴⁾ W X L X H	2040 × 2585 × 340
Weight	185 kg
Refrigerant	R134a
Compressor	Scroll
Maximum Current Draw 600 V DC	22 A
Inverter	External
Filter dUdt	optional

1 AHRI standard: Max: Ti 40°C, Te 35°C, r.h. 46%. Nom: Ti 27°C, Te 35°C, r.h. 46%

2 80°C coolant, 0°C air

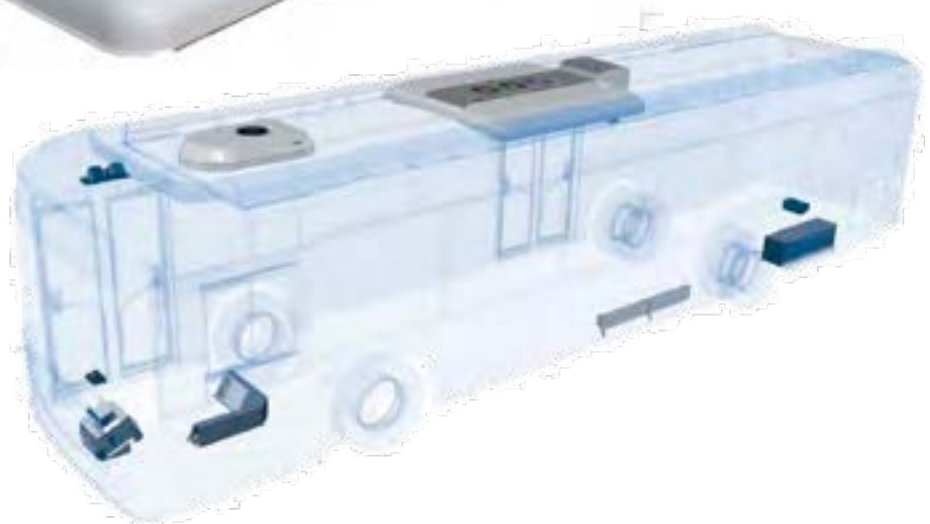
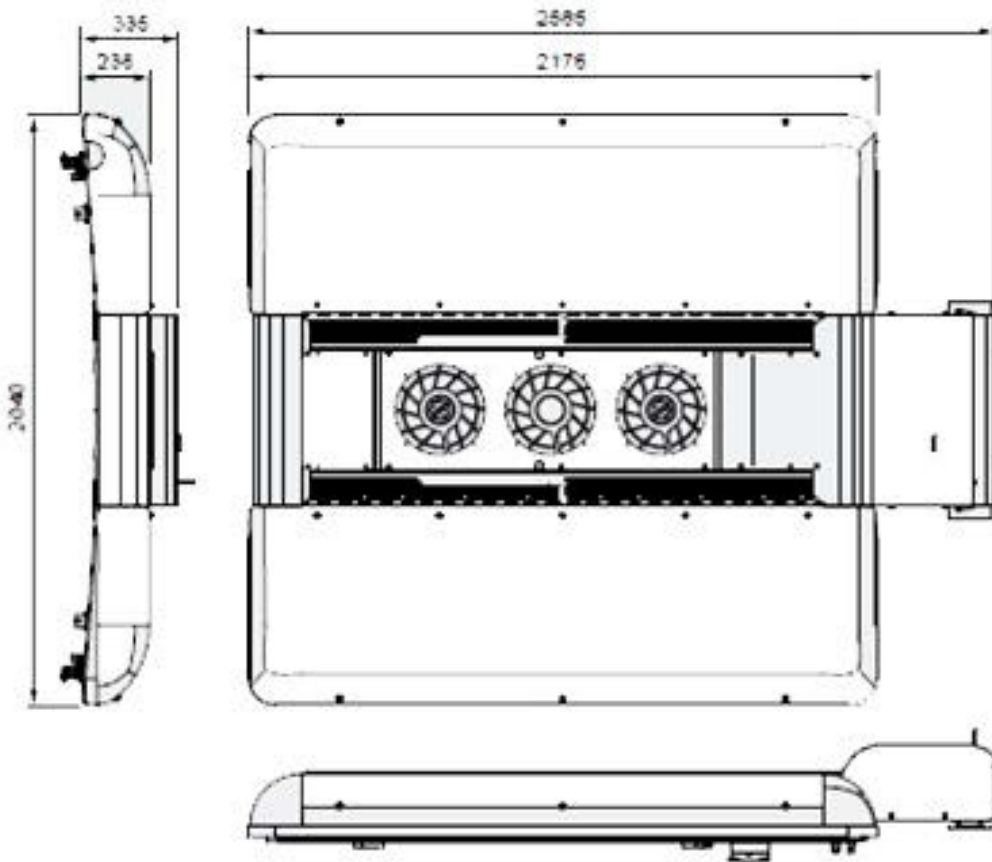
3 Free blowing at standard conditions 20°C and 1,01325 Bara

4 Custom width on customer demand



ELECTROMOBILITY SOLUTIONS

BOREAS - E



ROOFTOP-MOUNTABLE

COMPACT VERSATILITY FOR HIGHLY-EFFICIENT
ALL-ELECTRIC PERFORMANCE



AUROLA



/ Pioneering Your Comfort

NT



ROOFTOP MOUNTABLE UNITS

BORA EL 10

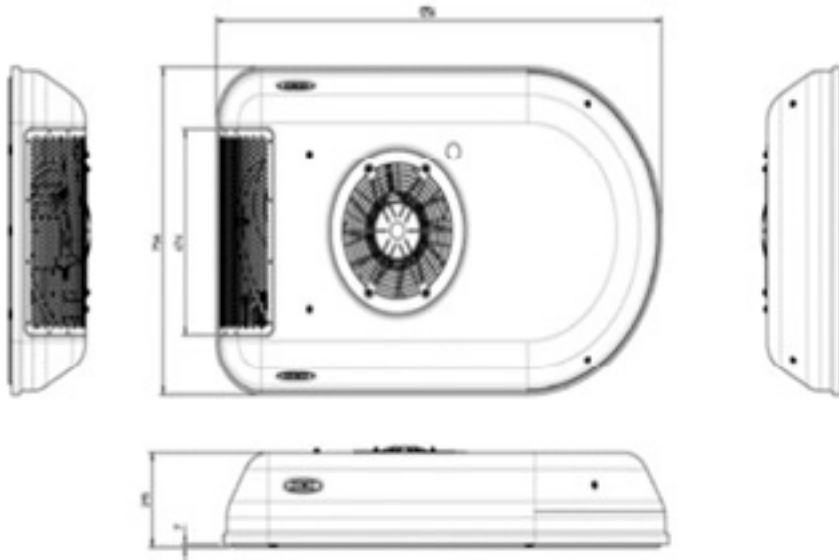
Uniquely designed to deliver air-conditioning to a driver in constant capacity, full-electric functionality, and after an easy installation, this unit is compatible with the AURORA control system and comes prefilled with refrigerant, requiring no refrigerant pipes leading to the vehicle's engine — completely standalone when the topic is refrigerant. Most ideal for implementation in roof-mounted applications.

Performance	
Maximum Cooling Capacity	3 kW
Nominal Cooling Capacity	2.6 kW
Heating Capacity	-
Airflow AC	800 m ³ / h
Fresh air AC	0%
Nominal Voltage	24 V
Maximum Current Draw	40 A
Dimensions	1256 × 756 × 215
Weight	42 kg



ROOFTOP MOUNTABLE UNITS

BORA EL 10



ROOFTOP MOUNTABLE UNITS

SON 50

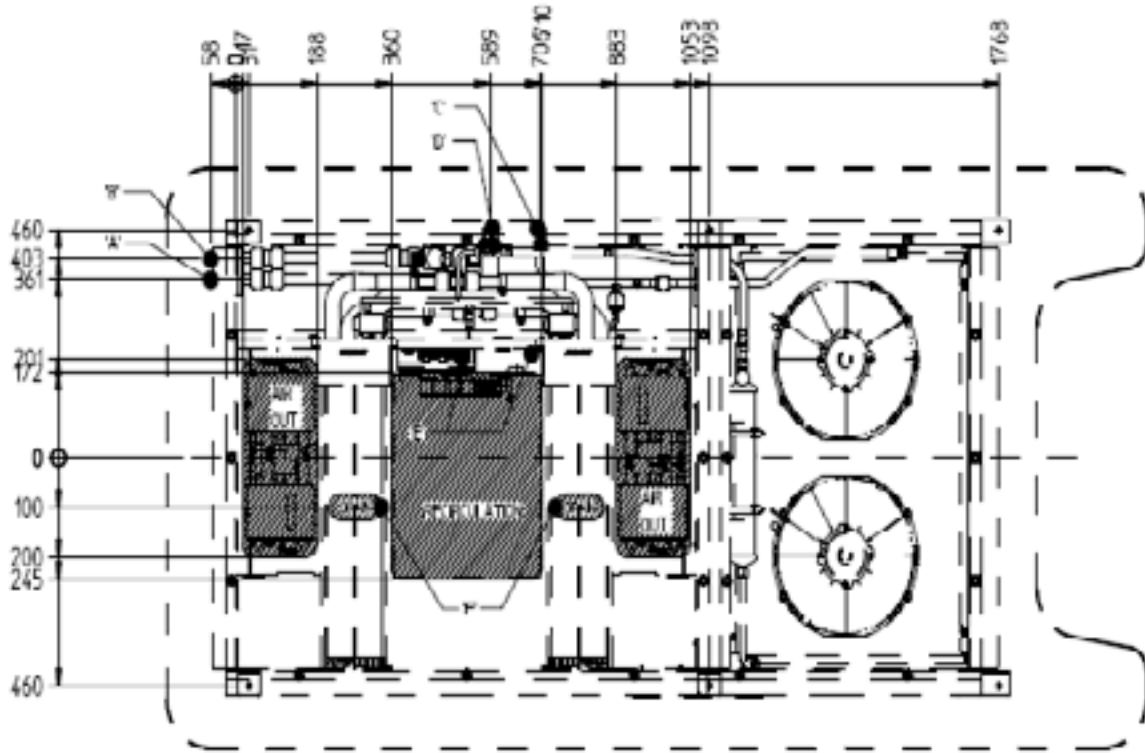
Featuring an aerodynamically shaped body to enhance overall vehicle travel efficiencies, this particular device can unleash power and performance unlike most any roof-mounted units before, especially at this level. SON features the duality of both heating, and cooling packed into one slim, high-performance unit. Loaded with awesome features: brushless evaporator blowers, a central duct, controller intergrade in unit or dashboard — all lightweight and ready for plug & play function. Best mounted on cabin sizes like a mid-sized bus.

Performance	
Maximum Cooling Capacity	14 kW
Nominal Cooling Capacity	2.6 kW
Heating Capacity	30 kW
Airflow AC	2000 m ³ / h
Fresh air AC	0% — 100%
Nominal Voltage	24 V
Maximum Current Draw	39 A
Dimensions	2270 × 1175 × 190
Weight	63 kg
Options	Cool-Only; Cool / Heat; Cool-Only with Fresh-Air; Cool / Heat with Fresh-Air



ROOFTOP MOUNTABLE UNITS

SON 50



ROOFTOP MOUNTABLE UNITS

SON 70

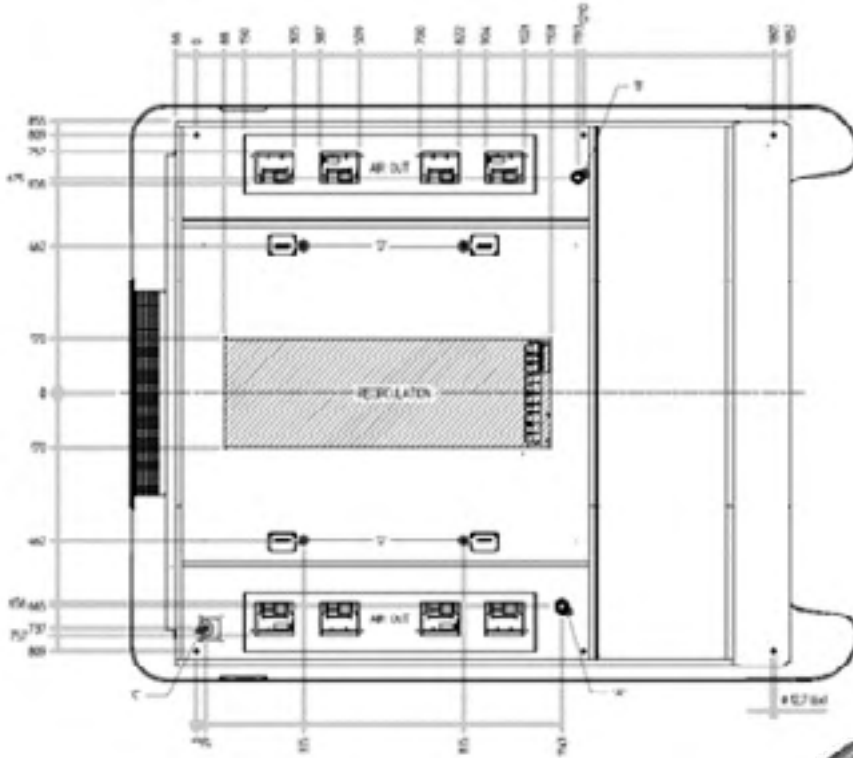
AURORA's Electric, Compact Rooftop Units are versatile and ready to serve at the forefront of the next generation of HVAC. SON is engineered with mid-size busses in mind and comes complete with brushless evaporator blowers, a central duct, integrated controller either in-unit or on-dashboard, efficient heating performance, is both lightweight + plug-and-play.

Performance	
Maximum Cooling Capacity	24 kW
Nominal Cooling Capacity	18 kW
Heating Capacity	34 kW
Airflow AC	4800 m ³ / h
Fresh Air AC	0% — 100%
Nominal Voltage	24 V
Maximum Current Draw	70 A
Dimensions	2270 × 1800 × 290
Weight	113 kg



ROOFTOP MOUNTABLE UNITS

SON 70



ROOFTOP MOUNTABLE UNITS

BOREAS

AURORA's Electric, Compact Rooftop Units are versatile and ready to serve at the forefront of the next generation of HVAC.

Every *Boreas* is recyclable as well as lightweight to empower sustainability in transportation for generations to come, these factors among others such as a wide-variety of power options make Boreas another perfect solution for bus drivers on-board city and intercity buses.

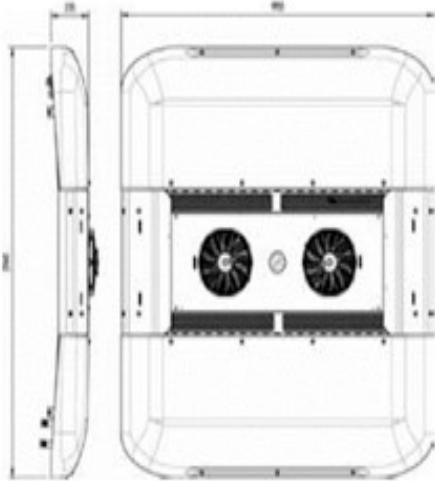
	Performance		
	Boreas 18	Boreas 24	Boreas 40
Maximum Cooling Capacity	18 kW	24 kW	39 kW
Nominal Cooling Capacity	11 kW	16 kW	29 kW
Heating Capacity	38 kW at Q80	38 kW at Q80	42 kW at Q80
Airflow AC	3800 m ³ / h	3800 m ³ / h	6000 m ³ / h
Fresh air AC	0 – 100 %	0 – 100 %	0 – 100 %
Nominal Voltage	24 V	24 V	24 V
Maximum Current Draw AC	60 A	70 A	115 A
Dimensions	2040 × 2180 × 240	2040 × 2180 × 240	2040 × 2180 × 240
Weight	120 kg	124 kg	128 kg
Refrigerant	R-134 a	R-134 a	R-134 a
Compressor	TM-31	TM-43	TM-65



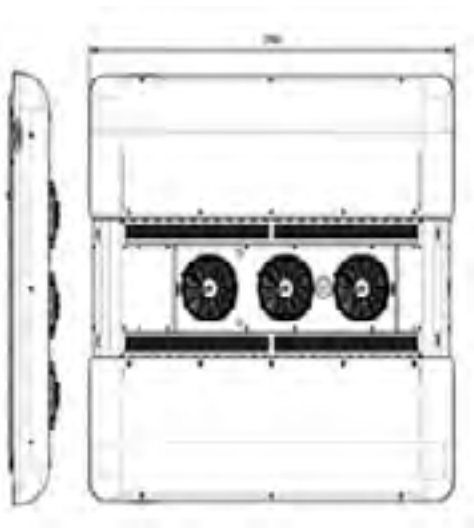
ROOFTOP MOUNTABLE UNITS

BOREAS

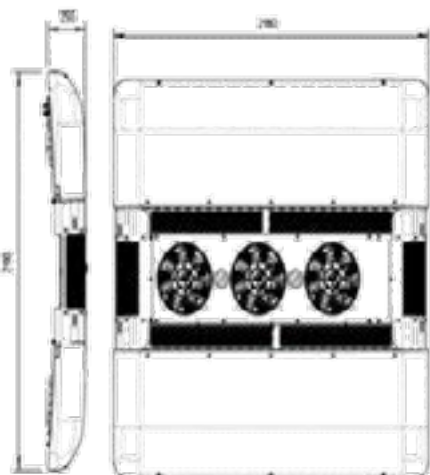
Model 18



Model 24



Model 40



STANDARD HEATERS

LOW-NOISE, FIELD-PROVEN DURABILITY,
EASY SERVICABILITY



AURORA

/ Pioneering Your Comfort



STANDARD HEATERS

UNDERFLOOR HEATER EHU-K-11500

AURORA's UNDERFLOOR HEATER EHU-K can be utilized as a built-in model for the heating and ventilation of buses. Operational with either external or recirculating air, *EHU's* recirculated air option is especially advantageous for dehumidifying the inside air during cooling. *EHU-K* also uses aluminum flat-tube heat exchanger technology to boost performance and reduce weight.

Specifications	
Housing: plastic PA6 Twin Radial Blower DRG 730 Powerful electric motor with long life cycle	
Technical Information	
912-100-1089	
Variations	
Part Number	Description
151-562-0241	11500 24 V 3-Speed
EHU 11.500	
Heat Power	13 kW
Vol. Air Flow	884 m ³ /h
Weight	5.5 kg (11.25 lbs.)



STANDARD HEATERS

UNDERFLOOR HEATER EHU-K-11500

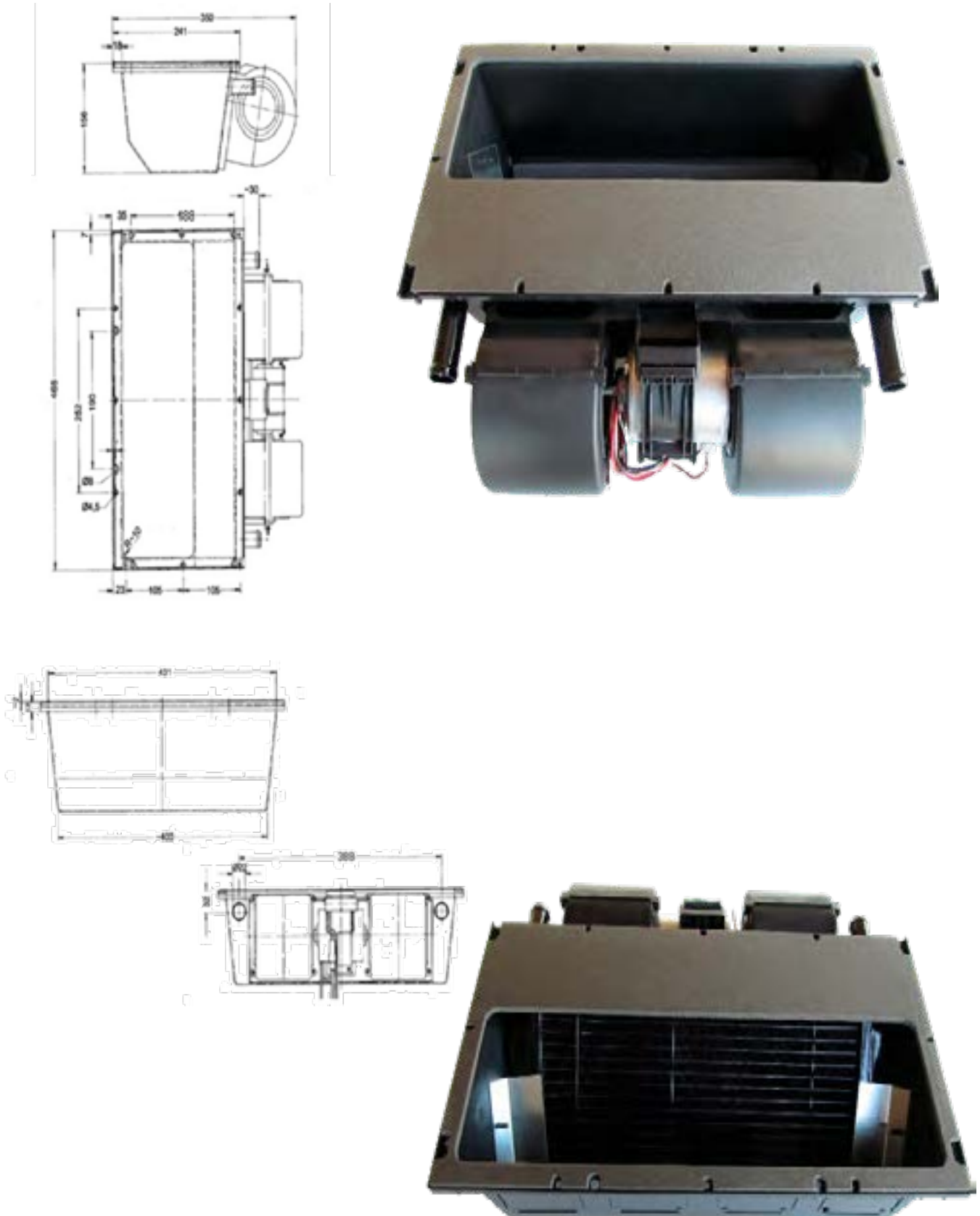


Illustration similar

STANDARD HEATERS

MINI H 410

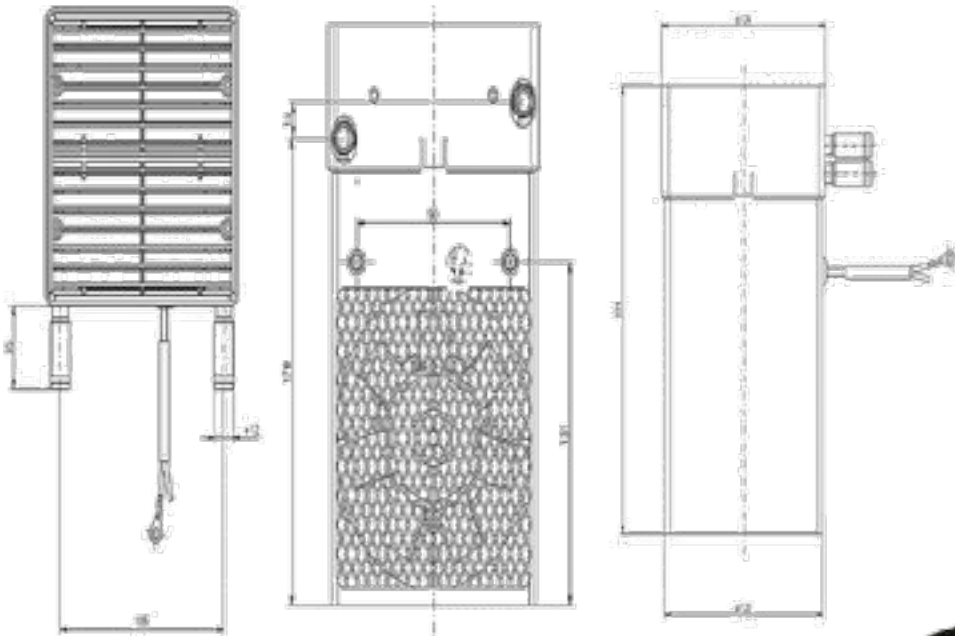
The AURORA *Mini* heater is perfectly designed to outfit cabins of nearly all applications. The 221 mm by 124 mm *Mini* is ideal for providing efficient heat to passengers and operators in areas where installation space is scarce. The *Mini* is also suited for a number of heating functions. Regardless whether installed under the seat, mounted to a side wall, driver's space, door entries, sleeping cabins, on-board kitchens, or simply used as a defroster, *Mini* is the Unit for the job at hand.

Specifications	
Air Flow: 114 m ³ /h Heating Power: 2.1 kW Power Consumption: Pel = 29 W Noise Emission: 64 dB(A)	
Technical Information	
912-100-0958	
Variations	
Part Number	Description
151-301-0200	Mini H410 12 V
151-302-0200	Mini H410 24 V
151-302-0242	Mini H410 24 V



STANDARD HEATERS

MINI H 410



STANDARD HEATERS

OSCAR 7000 & 8000

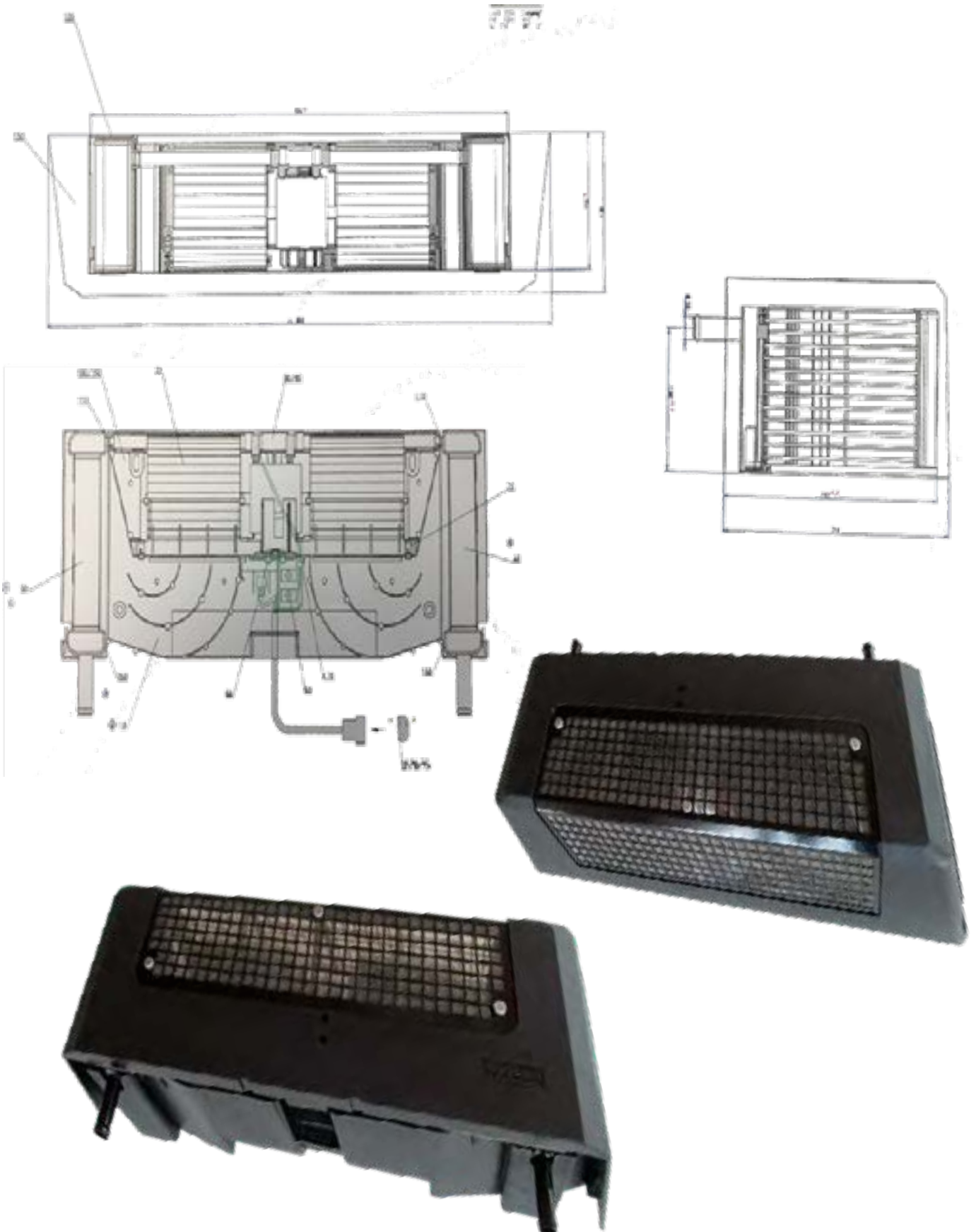
AURORA's *Oscar* heater is the ultimate solution for side wall heating in buses and cabs. The 8000 is AURORA's most powerful unit in the *Oscar* family. It was developed for usage in operator spaces and for mounting on the side walls of passenger cabins. This 8000 sports dual aluminum flat tube heat exchangers and a twin radial blower for maximum efficiency. For Bus and Passenger Transit heating, we recommend using 3 - 4 units in a full sized bus depending on the surrounding climate. Depending on the operating environment, air filtration is also a possible addition with the *Oscar* series.

Specifications		
Polyamide PA6 glass fiber reinforced housing Dual Aluminum Flat-tube Heat Exchangers Twin Radial Blower		
Technical Information		
912-100-0959		
Variations		
Part Number	Description	
151-681-0201	Oscar 8000 12 V 2-Speed w/ hood	
151-682-0201	Oscar 8000 24 V 2-Speed w/ hood	
151-682-0216	Oscar 7000 24 V 2-Speed without hood	
151-682-0219	Oscar 7000 24 V 2-Speed without hood	
Performance		
Blower Speed	1	2
Heat Power	4.6 kW	7.2 kW
Vol. Air Flow	185 m ³ /h	350 m ³ /h
Weight	3.8 Kg (8.4 lbs.)	



STANDARD HEATERS

OSCAR 7000 & 8000



STANDARD HEATERS

KKH HEATER TRADITIONAL

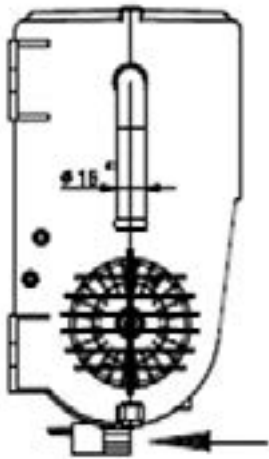
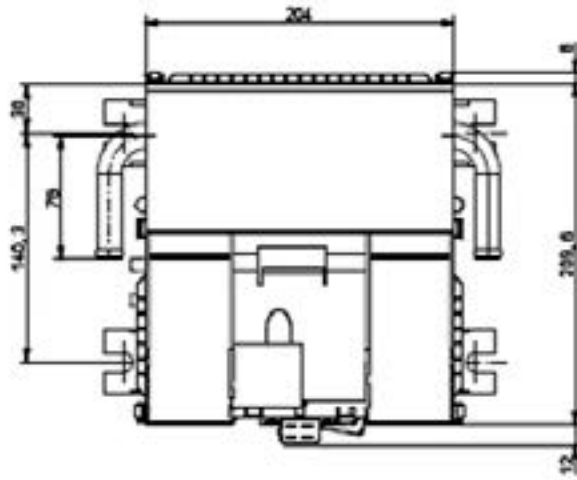
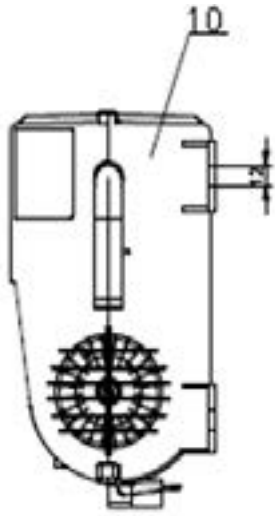
AURORA's KKH Heater is an ideal and powerful solution for small cabins. Its universal nature allows the KKH to maintain a 3.6 kW output in various applications and installation options as either a main or supplementary unit. The unit comes in 12 and 24 volt options, as well as different louver and grill packages suitable to for installations in any of the following locations: under seats, instrument dashboard, side wall, operator / driver space, door entries, sleeping cabins, on-board kitchens, or as a defroster unit. Connections on both sides come standard at 15 mm in diameter.

Specifications			
<p>Housing: Glass-fiber reinforced polyamide PA6, black Aluminum Flat-tube heat exchanger system Powerful electric long-life motor. Blower speeds defined by series resistors with ceramic heat sink and micro-temperature fuses.</p>			
Technical Information			
912-100-0973			
Variations			
Part Number	Description		
151-801-0203	12 V 3-Speed w/ output grill		
151-802-0203	24 V 3-Speed w/ output grill		
151-801-0237	12 V 3-Speed		
151-801-0240	12 V 3-Speed		
Performance			
Blower Speed	1	2	3
Heat Power	1.9 kW	2.7 kW	3.8 kW
Vol. Air Flow	62 m ³ /h	103 m ³ /h	163 m ³ /h
Power Consumption	16 W	26 W	45 W
Weight	1.55 kg (3.4 lbs.)		



STANDARD HEATERS

KKH HEATER TRADITIONAL



STANDARD HEATERS

KKH HEATER ALL ELECTRIC

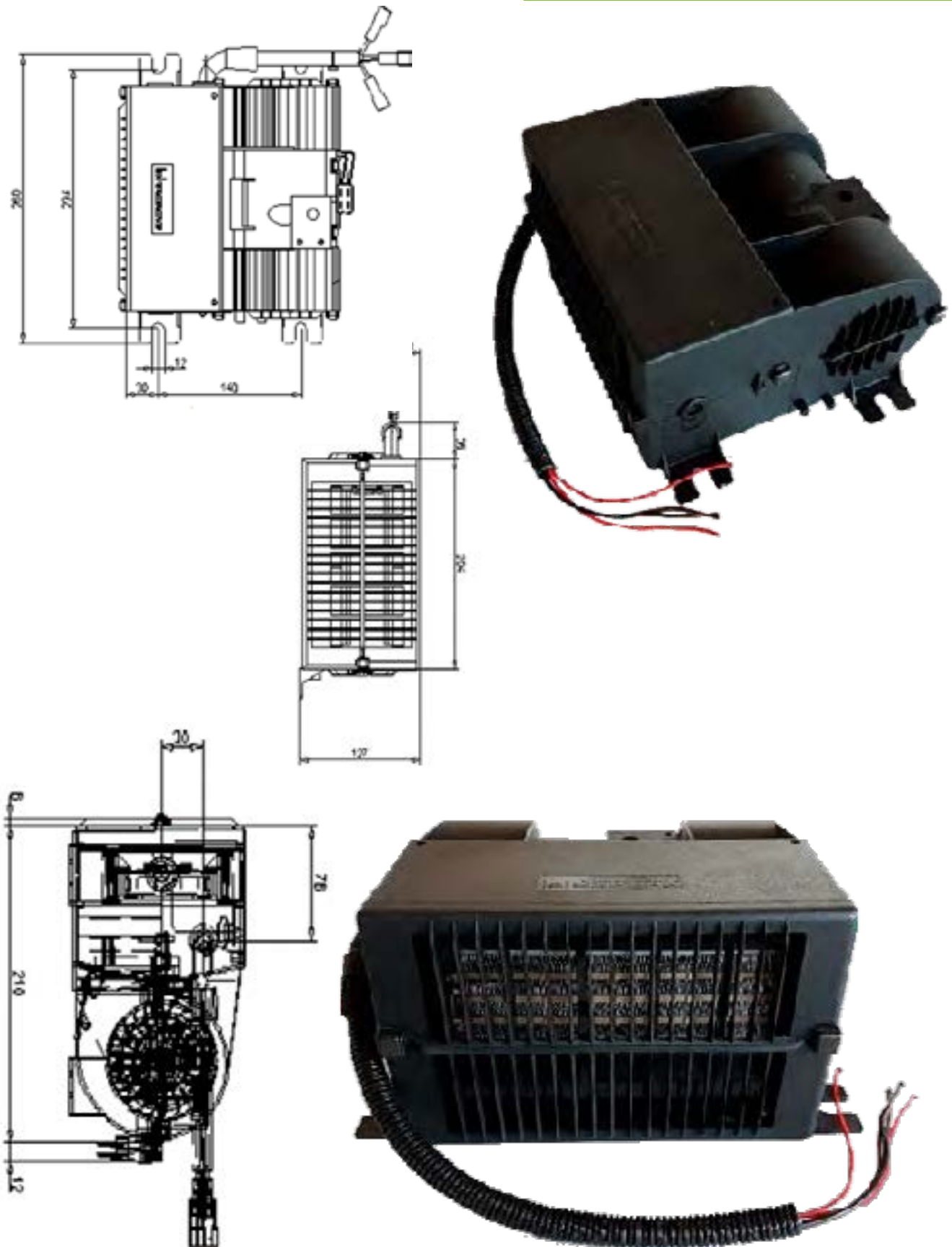
AURORA's KKH Heater features PTC technology making this an all-electric heater, which is an ideal and powerful solution for small cabins. Its universal nature allows the KKH the versatility necessary for various applications and installation options as either a main or supplementary unit. The unit comes in 12 and 24-volt options, as well as different louver and grill packages suitable to for installations in any of the following locations: under seats, instrument dashboard, side wall, operator / driver space, door entries, sleeping cabins, on-board kitchens, or as a defroster unit.

Specifications									
<p>Housing: Glass-fiber reinforced polyamide PA6, black Aluminum Flat-tube heat exchanger system Powerful electric long-life motor. Blower speeds defined by series resistors with ceramic heat sink and micro-temperature fuses.</p>									
Variations									
Part Number / Technical Information				Description					
153-801-0005 / 912-100-0960				12 V Blower; <120 V PTC; 1280 W					
153-801-0001/ 912-100-1135				12 V Blower; 80 V PTC; 1100 W					
153-802-0001/ 912-100-0304				24 V Blower; 80 V PTC; 1100 W					
153-802-0003/ 912-100-0374				24 V Blower; 24 V PTC; 870 W					
153-802-0002/ 912-100-0374				24 V Blower; 24 V PTC; 750 W					
Performance									
Blower Speed Level		12 V Model (PTC Radiator <120 V)	1	2	3	24 V Model (PTC Radiator 80 V)	1	2	3
Nominal Heat Power (kW)	W		980	1130	1280		720	900	1100
	BTU / hr.		3344	3856	4367		2459	3074	3757



STANDARD HEATERS

KKH HEATER ALL ELECTRIC





CONVECTORS

**WIDE-DISTRIBUTION OF HEAT,
SPECIALIZED FOR BUS APPLICATIONS**



AURORA 
/ Pioneering Your Comfort

CONVECTORS

AF SERIES

All our convectors are developed by AURORA and manufactured at several locations of the AURORA group. They are especially designed for use in bus and coach and available in two different power classes and sizes.

Convectors are used whenever the advantages of natural convection predominate. Optionally, our convectors can be combined with our Puma heater. The blower-assisted version offers an even better heating capacity.

Technical Information			
	AF 60	AF 70	Puma
Size / Measurements	160 mm. x 73 mm.	170 mm. x 100 mm.	170 mm. x 100 mm.
Heating Capacity	700 W / m at Q ₆₀	830 W / m at Q ₆₀	2900 W / m at Q ₆₀
Blower	None	None	73 ³ / blower
Molding	Aluminum EN AW 6063 one-piece	Aluminum EN AW 6063	--
Weight	2.5 kg / m	3.5 kg / m	--
Connector(s)	16 + 18 mm.	22 mm.	22 mm.



CONVECTORS

AF SERIES



AF60



AF70



Puma



BLOWERS

EFFICIENT, LOW-NOISE, POWERFUL



AUROLA

/ Pioneering Your Comfort



FANS

AXIAL

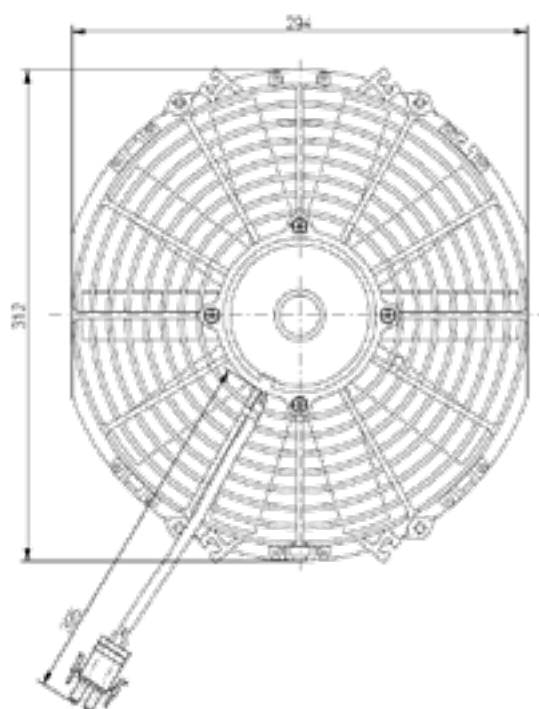
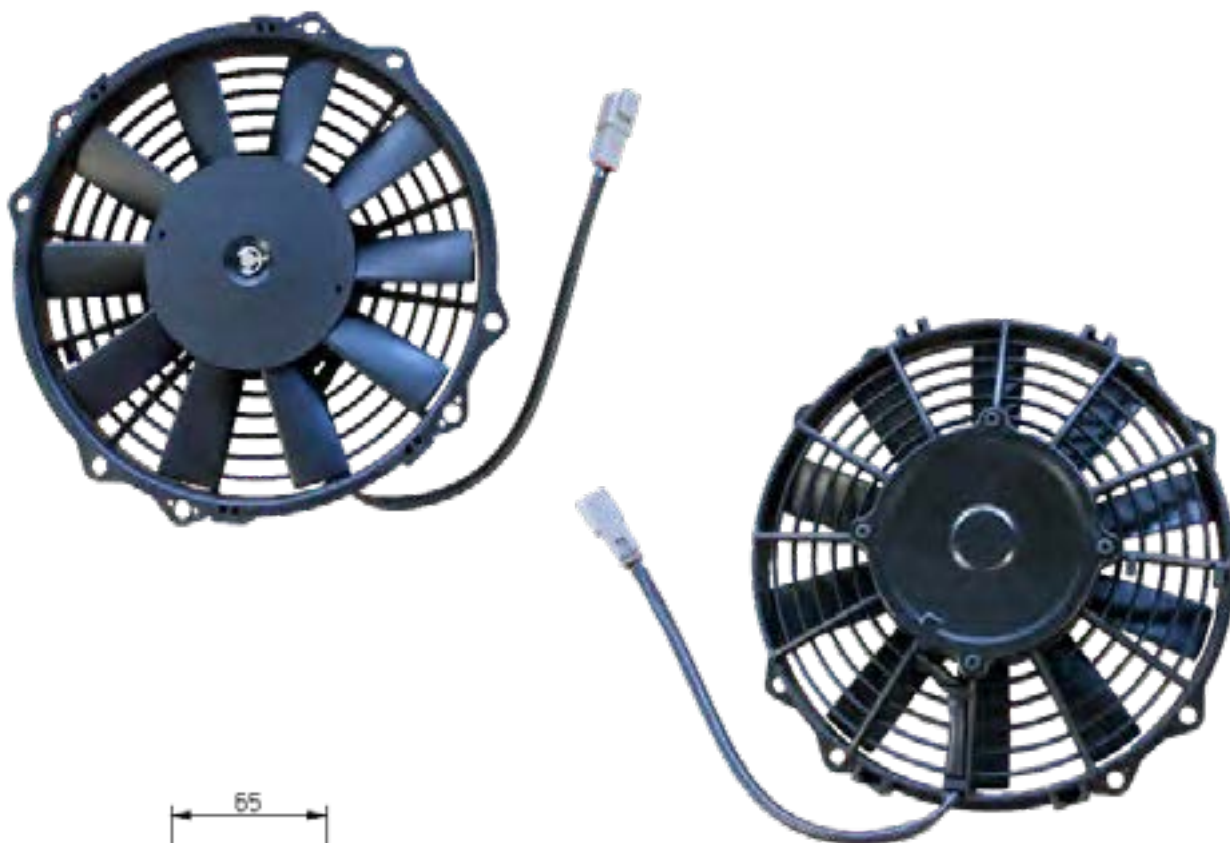
AURORA's Axial Fans come in several different sizes and mounting options in order to ensure the correct fit. These fans are powerful, durable, and lightweight. They are ideal for use as roof vents, condenser fans, oil coolers, and several other applications where maximum airflow is essential.

Technical Information	
912-100-0617 / 912-100-0948 912-100-0482 / 912-100-0751 912-100-0754	
Variations	
Part Number	Description Dimension Performance Max.
134-801-0008	12 V / 8" / suction 210 × 5260 mm 805
134-802-0008	24 V / 8" / suction 210 × 5260 mm 805
134-801-0010	12 V / 9" / suction 2478 × 526 mm 1060
134-802-0011	24 V / 9" / suction 2478 × 526 mm 1090
134-801-0009	12 V / 10" / blowing 285 × 525 mm 1325
134-801-0043	12 V / 10" / suction 285 × 525 mm 1480
134-801-0004	12 V / 11" / blowing 310 × 524 mm 1530
134-802-0004	24 V / 11" / blowing 310 × 524 mm 1580
134-801-0054	12 V / 12" / suction 335 × 62 mm 2050
134-802-0054	24 V / 12" / suction 335 × 62 mm 2050
134-802-0012	12 V / 16" / suction 416 × 704 mm 2820
134-802-0017	24 V / 16" / blowing 416 × 704 mm 2820



FANS

AXIAL

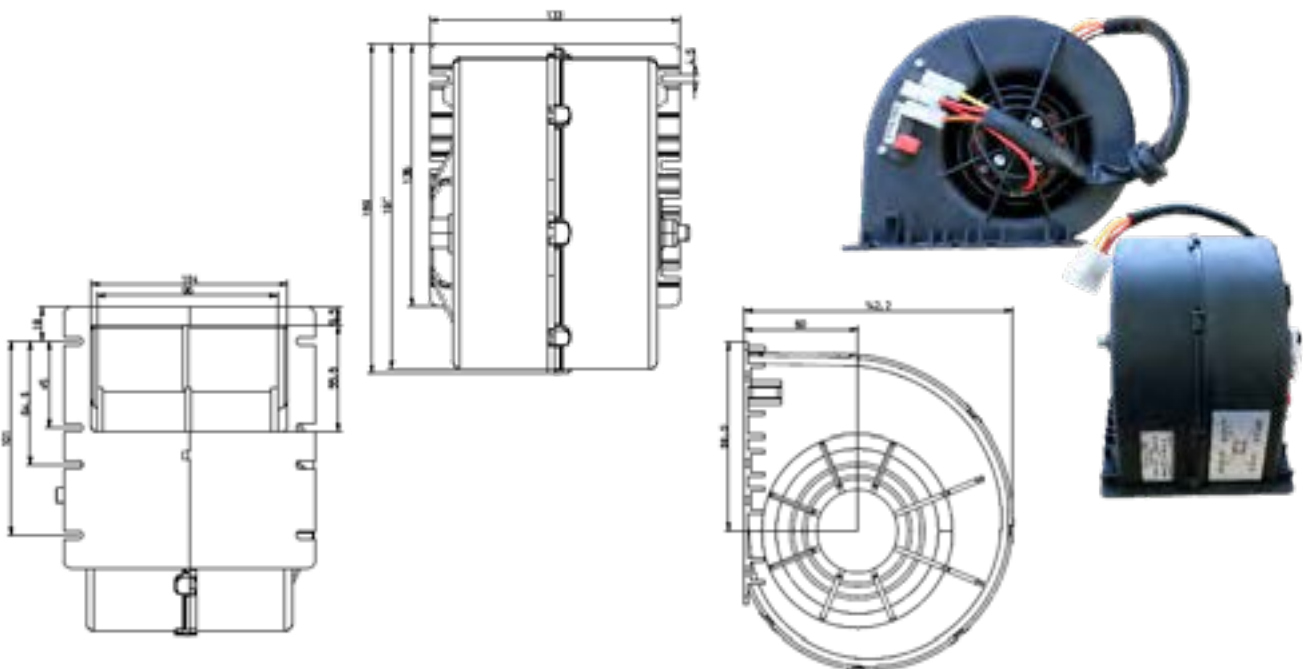


BLOWERS

RG 550

AURORA's Radial Blowers are built with powerful electric motors for high efficiency throughout a long lifetime of performance. These blowers feature a high proportion of air flow vs. system resistance. All radial blowers have flange seals made out of cellular rubber. Our family of Radial Blowers are built with a powerful electro motor to boost high efficiency over a long lifetime of performance.

Specifications	
Housing: 35% glass fiber polyamide PA6 Airflow: 500 m ³ /h (294 cfm) Nominal voltage: 12 or 24 Volt Weight: ~1.27 kg (2.8 lbs.) Pel: 210 W Lp: 75.5 dB (A)	
Technical Information	
912-100-0674/1102	
Variations	
Part Number	Description
132-901-0023	12 V 3 Speed
132-901-0028	12 V Brushless Stepless Controlled
132-902-0004	24 V - 3 Speed
132-902-0028	24 V Brushless Stepless Controlled



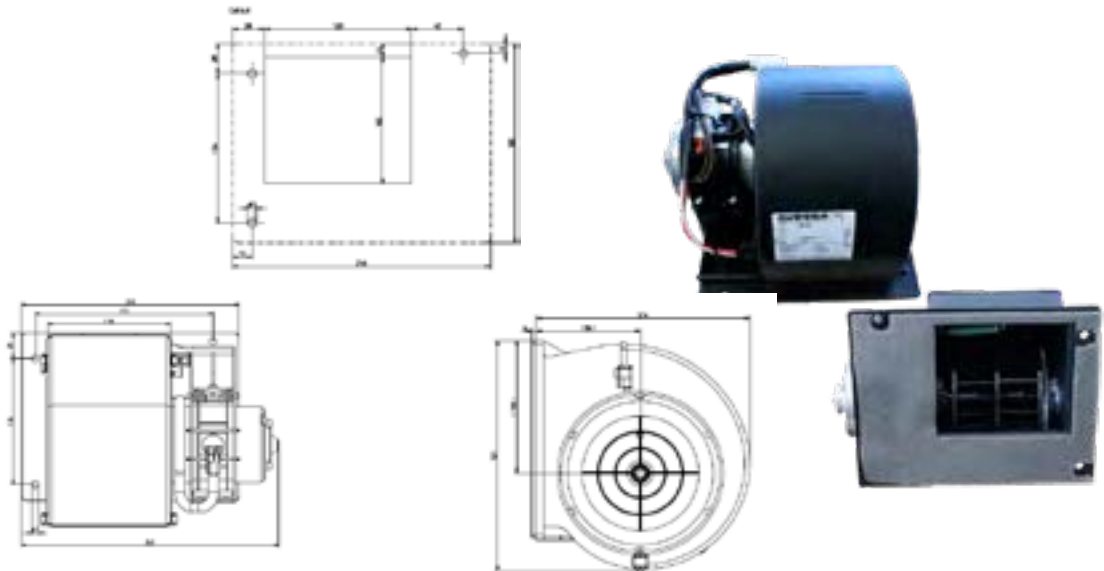
BLOWERS

RG 780

AURORA’s Radial Blowers are built with powerful electric motors for high efficiency throughout a long lifetime of performance. These blowers feature a high proportion of air flow vs. system resistance. All radial blowers have flange seals made out of cellular rubber. Our family of Radial Blowers are built with a powerful electro motor to boost high efficiency over a long lifetime of performance.

Specifications				
Housing: 35% glass fiber polyamide PA6 Airflow: 780 m ³ /h (459 cfm) Nominal voltage: 12 or 24 Volt Weight: ~2 kg (4.41 lbs.)				
Technical Information				
912-100-0579				
Variations				
Part Number	Description			
132-901-0400	12 V - Standard			
132-901-0405	12 V - 4 Speed			
132-902-0400	24 V - Standard			
132-902-0405	24 V - 4 Speed			
	Speed 1	Speed 2	Speed 3	Speed 4
V air m ³ /h.	300	410	530	780
Pel in W	70	110	160	280
Lp in dB (A)	57	65	71	77

Values +/- 10%

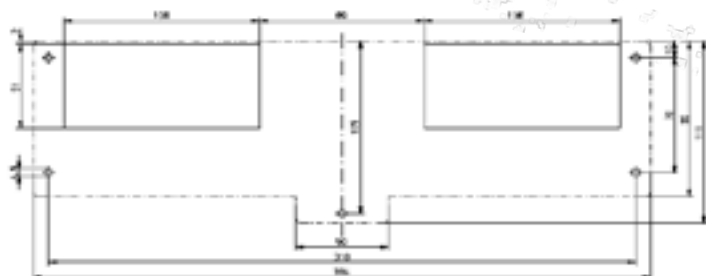
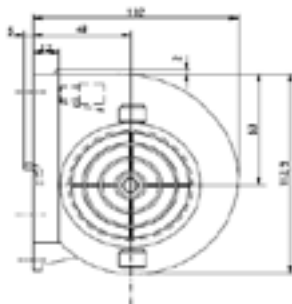
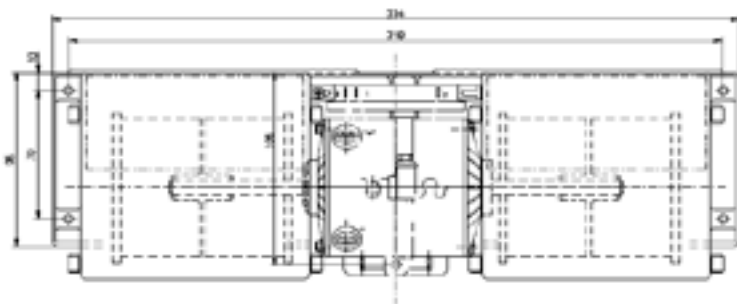


BLOWERS

DRG 530

AURORA's Twin Radial Blower (DRG) design incorporates high performance, low noise, and long life. The compact DRG 530 design produces 530 m³/h of airflow and utilizes longer brushes and internal resistors extending the life of the blowers. Blower speeds are regulated via a series resistor thanks to ceramic heat sink and micro-temperature-fusing.

Specifications	
Housing: 35% glass fiber polyamide PA6 Airflow: 530 m ³ /h Nominal voltage: 12 or 24 Volt Weight: ~1.25 kg (2.76 lbs.)	
Technical Information	
912-100-0550/1102	
Variations	
Part Number	Description
131-201-0011	12 V - Standard
131-201-0020	12 V - 3 Speed
131-201-0035	12 V Brushless stepless controlled
131-202-0011	24 V - Standard
131-202-0020	24 V - 3 Speed
131-202-0035	24 V Brushless stepless controlled



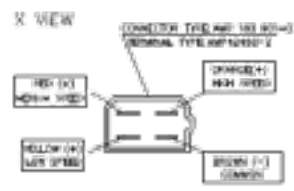
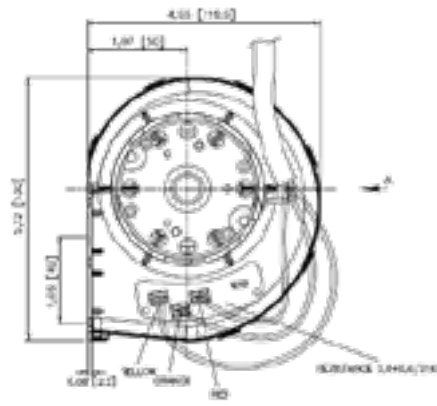
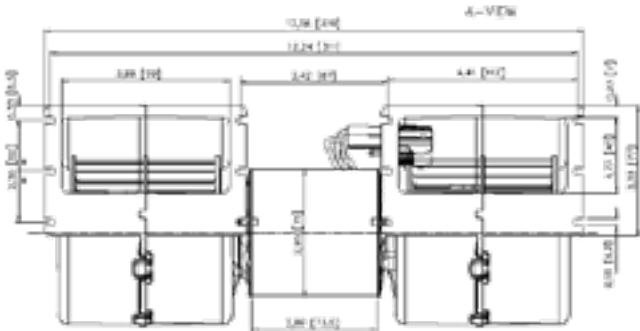
BLOWERS

DRG 800

AURORA’s Radial Blowers are built with powerful electric motors for high efficiency throughout a long lifetime of performance. These blowers feature a high proportion of air flow vs. system resistance. Our family of Radial Blowers are built with a powerful electro motor to boost high efficiency over a long lifetime of performance.

Specifications			
Housing: polyamide PA6 GF35 Airflow: 770 m ³ /h (452 cfm) Nominal voltage: 12 or 24 Volt Weight: ~2 kg (4.41 lbs.)			
Technical Information			
912-100-1181			
Variations			
Part Number	Description		
132-901-0058	12 V - 3 Speed Standard		
132-902-0058	24 V - 3 Speed Standard		
	Speed 1	Speed 2	Speed 3
V air m ³ /h.	380	490	770
Pel in W	84	125	265
Lp in dB (A)	61	67	74,5

Values +/- 10%



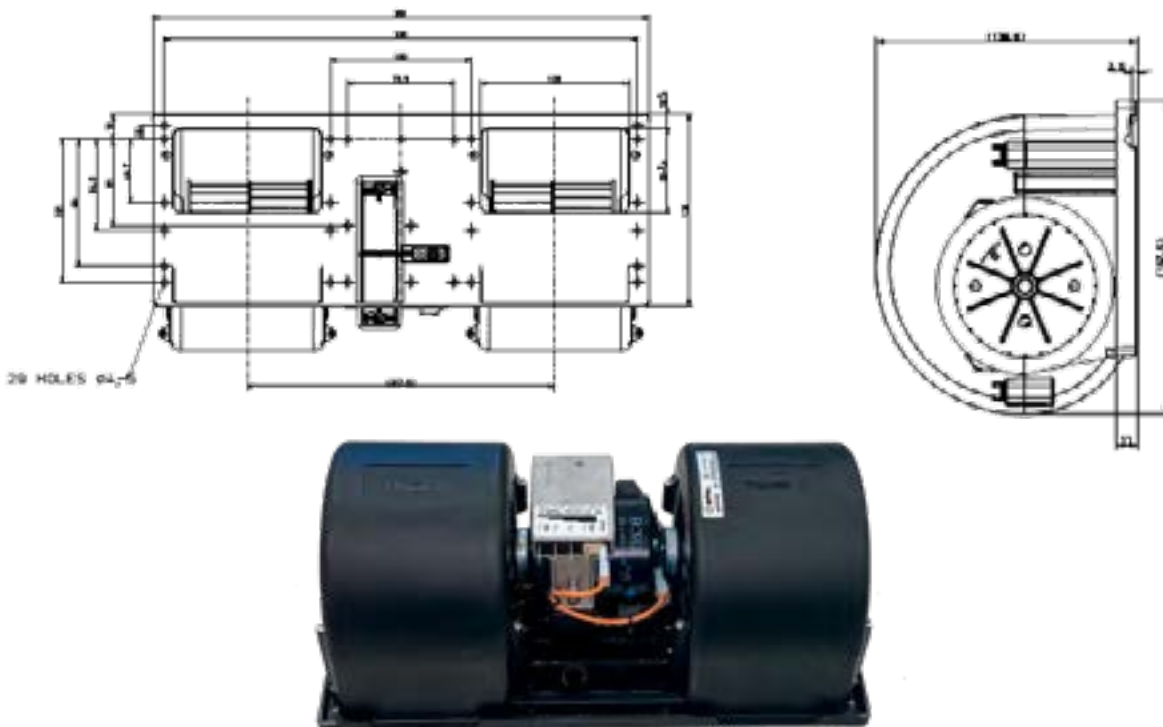
BLOWERS

DRG 1150

AURORA's Radial Blowers are built with powerful electric motors for high efficiency throughout a long lifetime of performance. These blowers feature a high proportion of air flow vs. system resistance. Our family of Radial Blowers are built with a powerful electro motor to boost high efficiency over a long lifetime of performance.

Specifications				
Housing: polypropylene PPT40 wheels: polyamide PA6 GF35 Airflow: 1150 m ³ /h (676 cfm) Nominal voltage: 12 or 24 Volt Weight: ~2 kg (4.41 lbs.)				
Technical Information				
912-100-1162				
Variations				
Part Number		Description		
132-901-0050		12 V - 4 Speed Standard		
132-902-0050		24 V - 4 Speed Standard		
	Speed 1	Speed 2	Speed 3	Speed 4
V air m ³ /h.	400	705	850	1150
Pel in W	89	193	263	440
Lp in dB (A)	59	67	69	76

Values +/- 10%



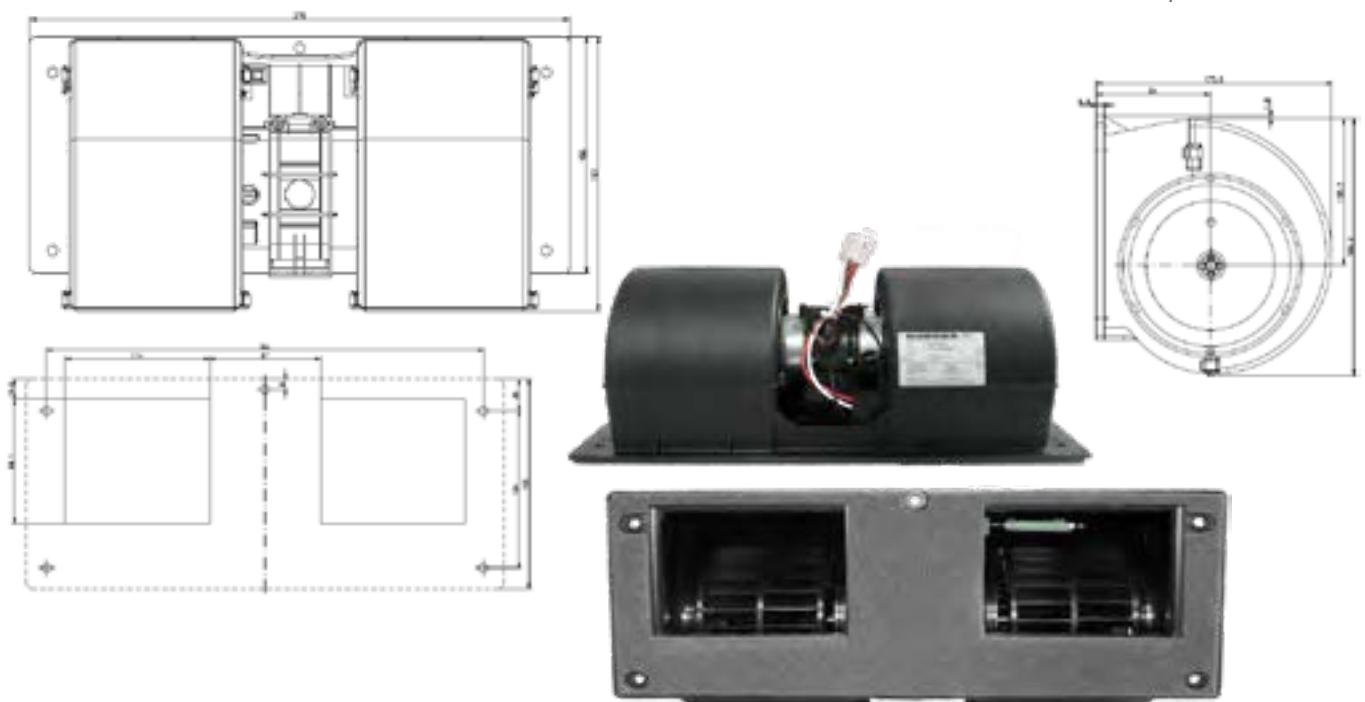
BLOWERS

DRG 1200

AURORA's Twin Radial Blower *DRG1200* is ideal for heating, AC, and ventilation. *DRG1200*'s powerful electric motor has high efficiency and a long lifetime of performance. AURORA Twin Radial Blowers contain a high air flow vs. system resistance proportion. Blower speeds are regulated via a series resistor with ceramic heat sink and micro-temperature-fusing. Only available as replacement, not new projects

Specifications				
Housing: 35% glass fiber polyamide PA6 Airflow: 1200 m ³ /h (736 cfm) Nominal voltage: 12 or 24 Volt Weight: ~2.54 kg (6 lbs.)				
Technical Data				
912-100-0578				
Variations				
Part Number		Description		
131-601-0400		12 V - Standard		
131-601-0403		12 V - 3 Speed		
131-602-0400		24 V - Standard		
131-602-0450		24 V - 4 Speed		
	Speed 1	Speed 2	Speed 3	Speed 4
Vair in m³/h	470	675	800	1250
Vair in cfm	277	397	471	736
Pel in W	70	109	150	307
Lp in dB(A)	56	63	68	77

Values +/- 10%



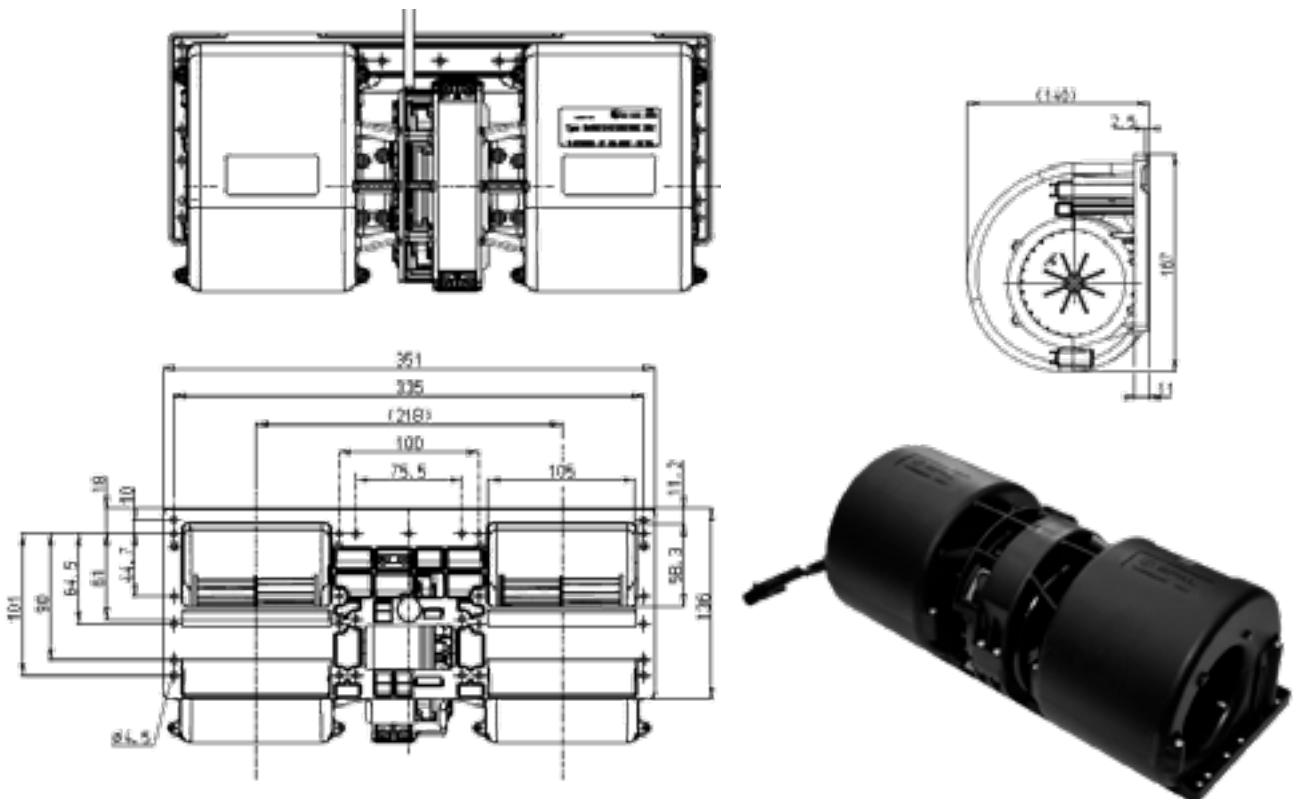
BLOWERS

DRG 1150 EC

The twin radial blower *DRG 1150 EC* is infinitely adjustable, satisfying to even the highest, most attune comfort standards. This blower also has a high lifetime of about 25,000 operation hours. The twin radial blowers are very efficient with low noise emission. Used exclusively for air flow distribution in heaters, air conditioning units, and ventilation units. The DRG 1150 EC is generally suitable for all mounting positions and consists of a plastic housing, two fan wheels and a brushless DC motor with dual ball bearings.

Specifications		
Housing: polypropylene reinforced with 40% Talcum PP T40 Airflow: 1200 m ³ /h (244 cfm) Nominal voltage: 12 or 24 Volt Weight: ~2.4 kg (5.3 lbs.)		
Technical Information		
912-100-1168/1193		
Variations		
Part Number	Description	
131-901-0036	12 V - Standard	
131-902-0051	24 V - Standard	
	12 V	24 V
Vair in m ³ /h	1200	1200
PeI in W	370	330
Lp in dB(A)	74	73

Values +/- 10%

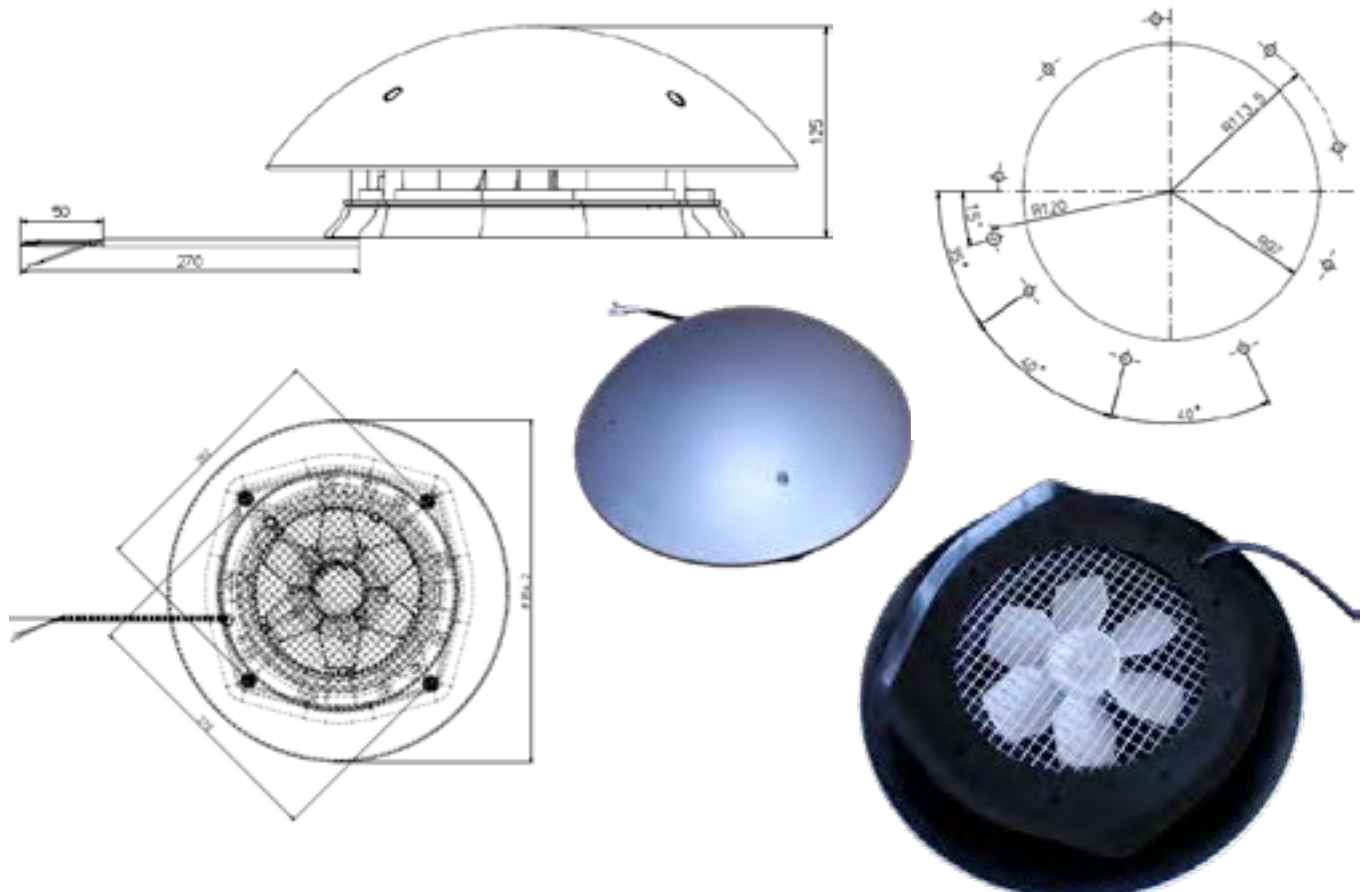


HOOD VENTILATORS

HV 350

AURORA Hood ventilators are designed to efficiently and easily provide transit vehicles, cargo vans, and buses, with additional airflow. Most models are can be switched to either provide air intake or air extraction in any desired application. The plastic hood is constructed of polyamide PA6 35% glass fiber reinforced material to increase durability against the elements. These units are manufactured to specifications which reduce weight and noise emissions.

Specifications	
Nominal Voltage: 12 or 24 Volt Air Flow: 350 m ³ /h Sound Level: 67 dB(A)	
Technical Information	
912-100-0369	
Variations	
Part Number	Description
134-101-0001	HV 350-BE 12 V
134-102-0001	HV 350-BE 24 V
134-101-0013	HV 350 -BE 2Speed 12 V
134-102-0013	HV 350 -BE 2Speed 24 V

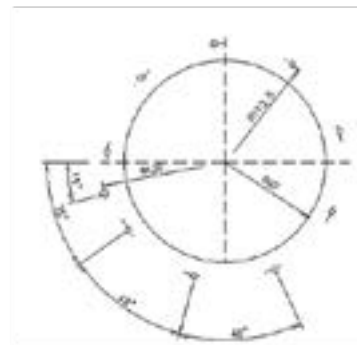
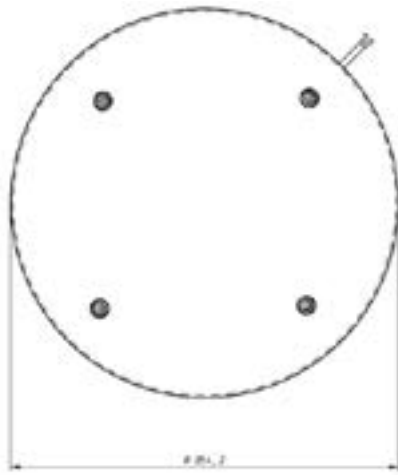


HOOD VENTILATORS

HV 420

AURORA Hood Ventilators are designed to efficiently and easily provide transit vehicles, cargo vans, and buses, with additional airflow. The plastic hood is constructed of polyamide PA6 35% glass fiber reinforced material to increase durability against the elements. These units are manufactured to specifications which reduce both weight and noise emissions, simultaneously.

Specifications	
Nominal Voltage: 12 or 24 Volt Air Flow: 420 m ³ /h Sound Level: 67 dB(A) Weight: 1.8 kg (3.97 lbs.)	
Technical Information	
912-100-0435	
Variations	
Part Number	Description
134-151-0000	HV 420-KB 12 V
134-151-0002	HV 420-KE 12 V
134-152-0000	HV 420-KB 24 V
134-152-0009	HV 420-KE 24 V

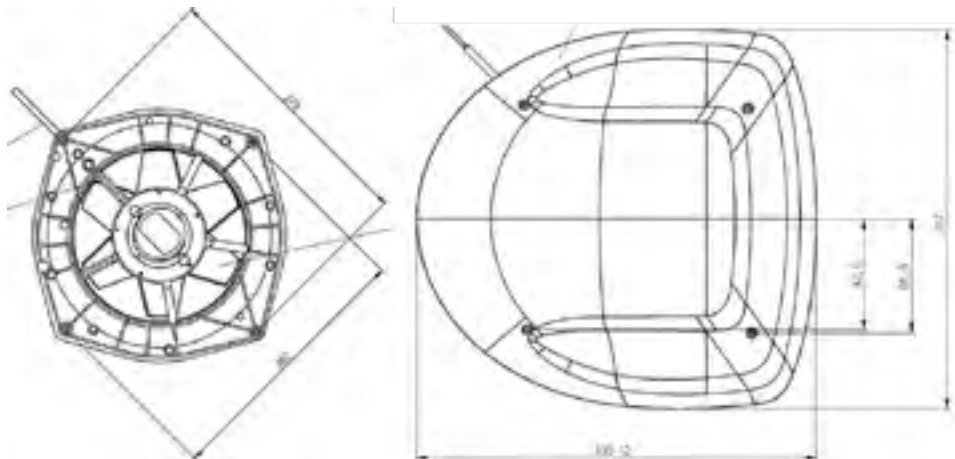


HOOD VENTILATORS

HV 500

AURORA Hood ventilators are designed to efficiently and easily provide transit vehicles, cargo vans, and buses, with additional airflow. Most models are can be switched to either provide air intake or air extraction in any desired application. The plastic hood is constructed of polyamide PA6 35% glass fiber reinforced material to increase durability against the elements. These units are manufactured to specifications which reduce weight and noise emissions, simultaneously.

Specifications	
Material: ABS Plastic Airflow: ~ 500m ³ /h Power Consumption: Pel ~ 45W Sound Level: Max 69 dB(A)	
Technical Information	
912-100-0285	
Variations	
Part Number	Description
134-171-0012	HV 500-B+E 12 V LC
134-172-0012	HV 500-B+E 24 V LC



AURORA

/ Pioneering Your Comfort





CONTROL PANELS

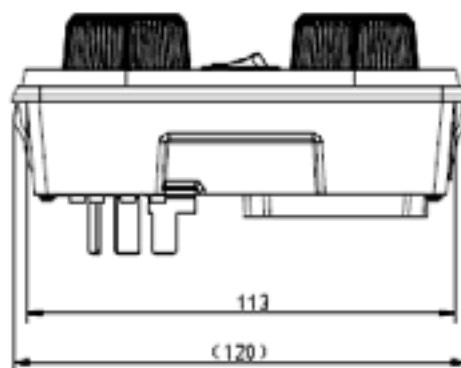
**INTELLIGENT-RESPONSIVENESS,
DYNAMIC; USER-FRIENDLY**

CONTROL PANELS

NEO2B

AURORA's NEO2B Control Panel is designed for the rough and tough operator. For this, we've stripped out all the extra bells and whistles to give customers exactly what they need: simplicity and functionality. The NEO2B has two knobs and up to two rocker switches, all electronically manipulated. It is designed for a 3-speed blower and optional rocker switches for AC and recirculation.

Functions	Specification
3-Step rotary switch for blower speed (25A)	Operation voltage 9 to 30 V
Potentiometer for water valve position	Operation temperature -40°C to +85°C
5-Pol. actuator for water valve	IP40 (front side)
Push button for AC (optional)	15 pol. AMP connector
Rocker switch for recirculation flap (optional)	ECE R10 certificated
Illuminated symbols	
Illuminated knobs	
Function and status LED's	

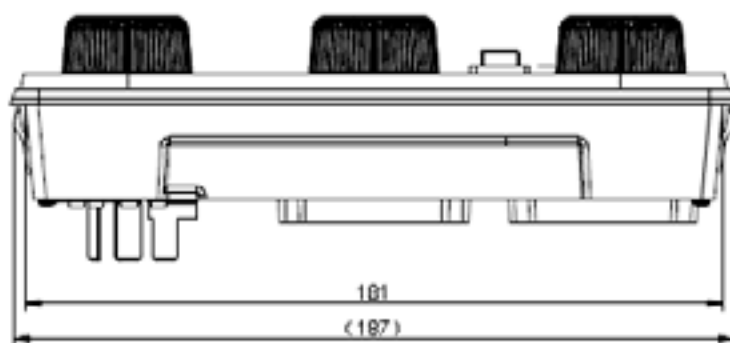


CONTROL PANELS

NEO3B

AURORA's NEO3B Control Panel is designed for the rough and tough operator. For this line, we've stripped out all the extra bells and whistles to give customers exactly what they need: simplicity and functionality. The NEO3B has three knobs and up to two rocker switches, all electronically manipulated. It is designed for a 3-speed blower, proportionally positioned air distribution flap and optional rocker switches for AC and recirculation.

Functions	Specification
3-Step rotary switch for blower speed (25A)	Operation voltage 9 to 30 V
Potentiometer for watervalue position	Operation temperature -40°C to +85°C
3-Pol. actuator for watervalue	IP40 (front side)
Potentiometer for air distribution flap position	1 x 15 pol. AMP connector
3-Pol. actuator for air distribution flap	ECE R10 certificated
Rocker switch for AC (optional)	
Rocker switch for recirculation flap (optional)	
Illuminated symbols	
Illuminated knobs	

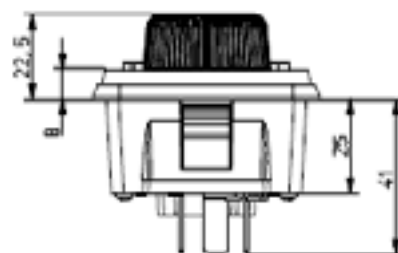
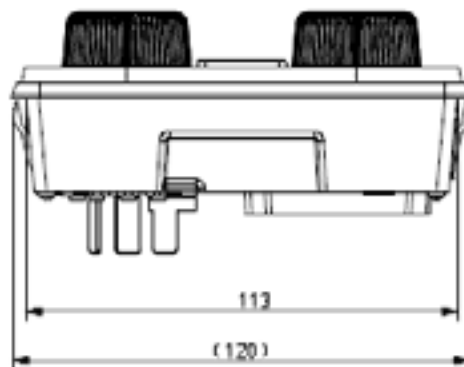


CONTROL PANELS

NEO2

AURORA's NEO2 Control Panel is designed for the rough and tough operator. For this line, we've stripped out all the extra bells and whistles to give customers exactly what they need: simplicity and functionality. The NEO2 has two knobs and up to two rocker switches, all electronically manipulated. It is designed for a 3-speed blower and optional rocker switches for AC and recirculation .

Functions	Specification
3-Step rotary switch for blower speed (25A)	Operation voltage 9 to 30 V
Potentiometer for water valve position	Operation temperature -40°C to +85°C
5-Pol. actuator for water valve	IP54 (front side)
Push button for AC (optional)	1 × 15 pol. AMP connector
Rocker switch for recirculation flap (optional)	ECE R10 certificated
Illuminated symbols	
Illuminated knobs	
Function and status LED's	

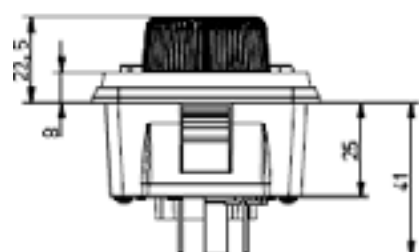
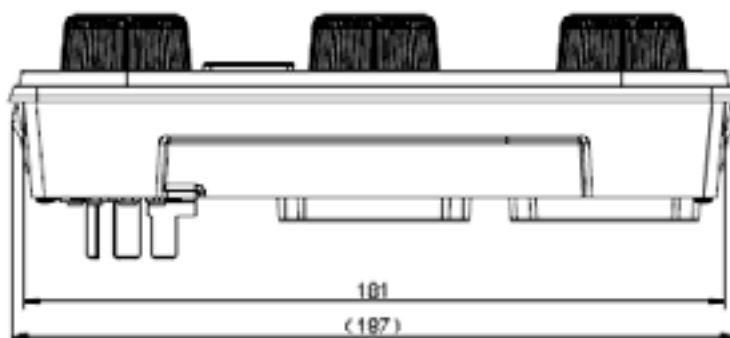


CONTROL PANELS

NEO3

AURORA's NEO3 Control Panel is designed for the rough and tough operator. For this line, we've stripped out all the extra bells and whistles to give customers exactly what they need: simplicity and functionality. The NEO3 has three knobs and up to two rocker switches, all electronically manipulated. It is designed for a 3-speed blower, proportionally positioned air distribution flap and optional rocker switches for AC and recirculation.

Functions	Specification
3-Step rotary switch for blower speed (25A)	Operation voltage 9 to 30 V
Potentiometer for watervalue position	Operation temperature -40°C to +85°C
5-Pol. actuator for watervalue	IP54 (front side)
Potentiometer for air distribution flap position	2 × 15 pol. AMP connector
5-Pol. actuator for air distribution flap	ECE R10 certificated
Push button for AC (optional)	
Push button for recirculation flap (optional)	
Illuminated symbols	
Illuminated knobs	
Function and status LED's	

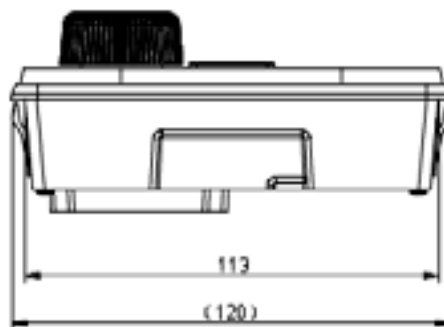


CONTROL PANELS

NEO2PLUS

AURORA's NEO2PLUS takes the next step towards ultimate climate control in a cabin or vehicle. The NEO2plus has an encoder that is used for multiple functions, two push-buttons and a round OLED display with a resolution of 128×128px. It is designed to connect a stepless blower; it has a CAN-bus interface, and up to three sensors can be connected.

Functions	Specification
Encoder for set temperature and blower speed	Operation voltage 9 to 30 V
PWM output for stepless blower	Operation temperature -40°C to +85°C
Upper push button for defrost function	IP54 (front side)
Lower push button for menu and AC	1 × 15 pol. AMP connector
Background illumination	ECE R10 certificated
CAN bus interface	
3 temperature sensors	
OLED display	
Function and status LED's	
Configuration menu	

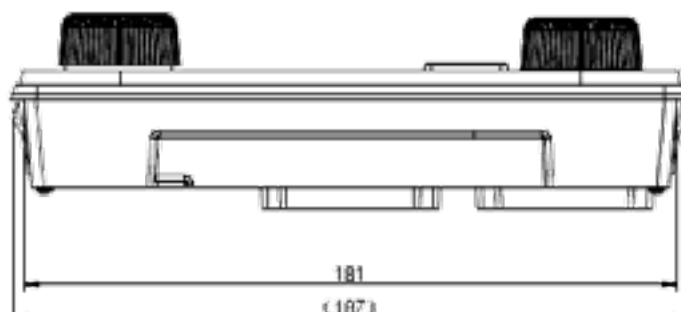


CONTROL PANELS

NEO3PLUS

AURORA's NEO3PLUS takes the next step towards ultimate climate control in a cabin or vehicle. The NEO3plus has an encoder that is used for multiple functions, a potentiometer for the air distribution, two push-buttons and a round OLED display with a resolution of 128×128px. It is designed to connect a stepless blower, it has a CAN-bus interface and up to four sensors can be connected.

Functions	Specification
Encoder for set temperature and blower speed	Operation voltage 9 to 30 V
PWM output for stepless blower	Operation temperature -40°C to +85°C
Potentiometer for air distribution	IP54 (front side)
Upper push button for defrost function	2 × 15 pol. AMP connector
Lower push button for menu and AC	ECE R10 certificated
Background illumination	
CAN bus interface	
Up to 4 temperature sensors	
Up to 2 air flap actuators	
Recirculation flap	
OLED display	
Function and status LED's	
Configuration menu	



LOUVERS

DURABLE,
DYNAMIC, USER-
FRIENDLY





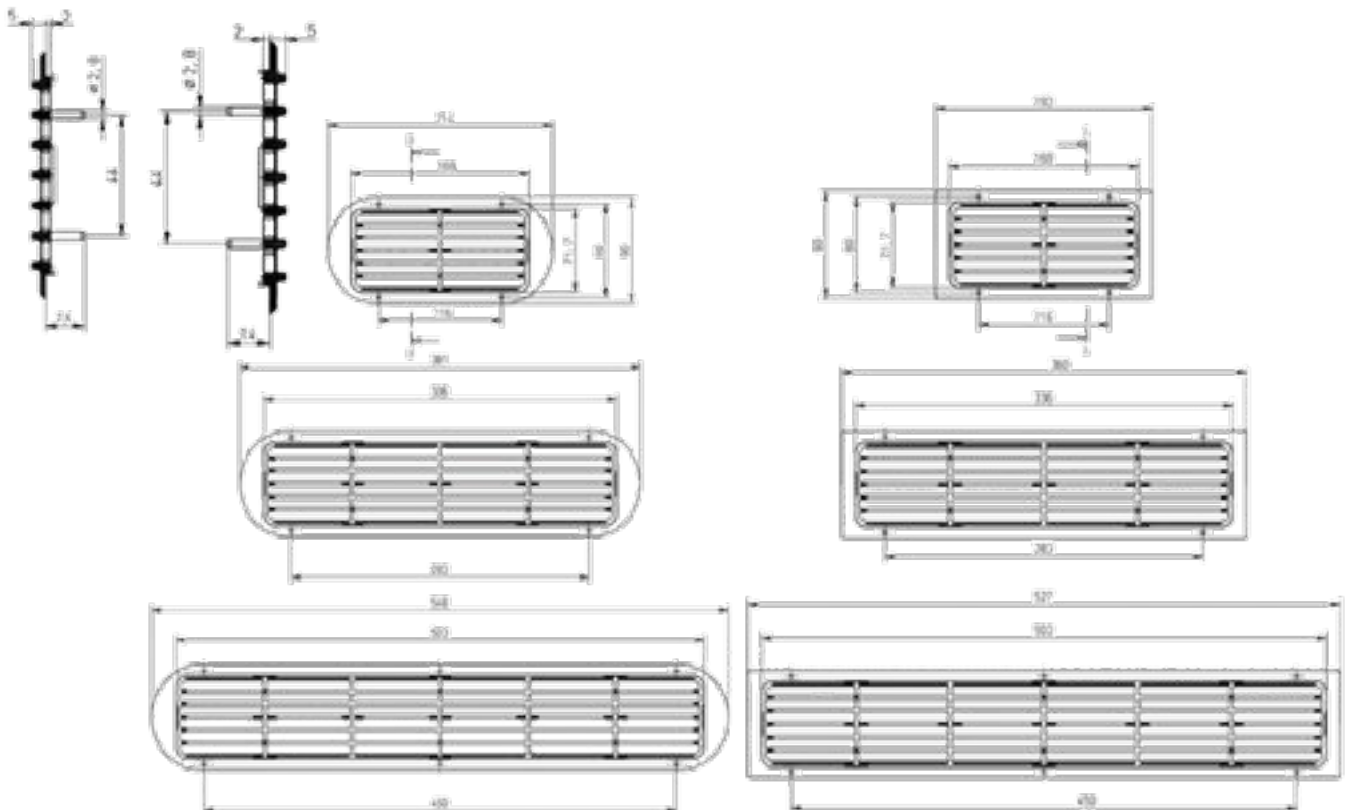
AUROLA 
/ Pioneering Your Comfort

VENTILATION LOUVERS

AIR GRILLS

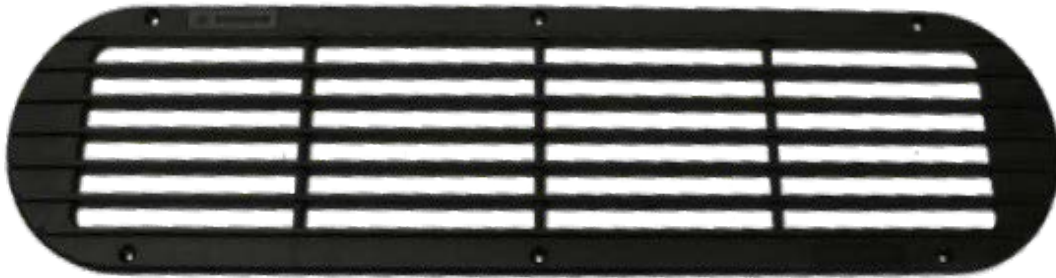
AURORA's Air Grills have horizontal fixed air guide vanes that can be used in both air intake and outtake applications. The grills are designed to allow for different filtration elements in order to keep all foreign and unwanted objects out of the air circulation system. The grills come in several sizes and shapes, and some also have pegged inserts for easier installation with various filtration options.

Material and Color	
Polyamide PA6 15% glass fiber reinforced Standard Color: black, similar to RAL 9005	
Technical Information	
912-100-0324	
Variations	
Part Number	Description
431-410-0010	Round Long
431-410-0011	Round Medium
431-410-0012	Round Short
334-130-0001	Round Long with ppi30 filter
334-130-0002	Round Medium with ppi30 filter
334-130-0003	Round Short with ppi30 filter
431-410-0020	Edged Long
431-410-0021	Edged Medium
431-410-0022	Edged Short



VENTILATION LOUVERS

AIR GRILLS

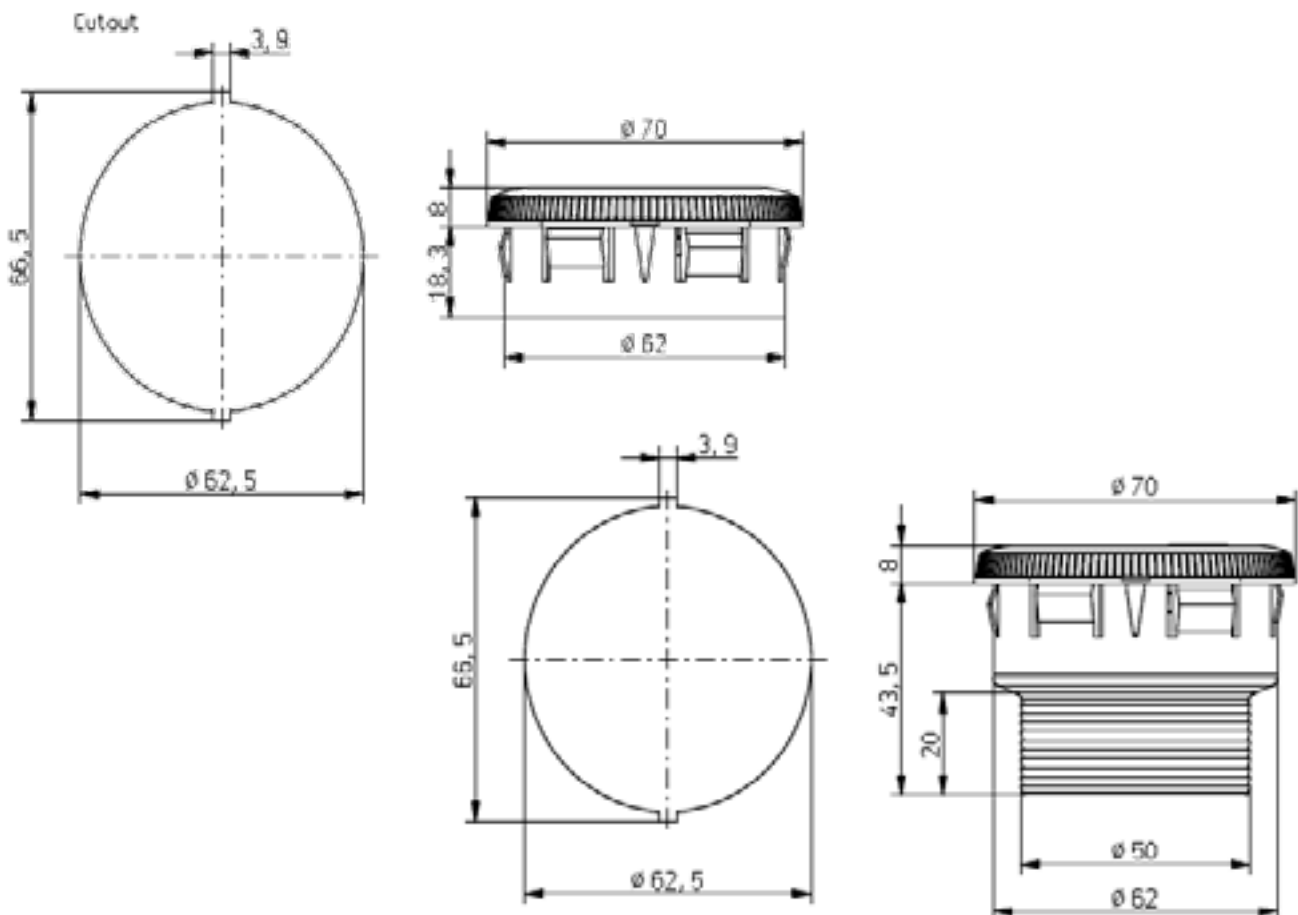


ROUND LOUVERS

RD 70

RD 70, named such for its 70 mm. diameter, features flaps, a 3 mm. as well as 5 mm dash-board clip adaptor standard, and an optional 50 mm. hose adaptor — all for easy affixation into most any hole spaces near its size. Flaps that rotate 360 degrees in a clockwise manner of the Louver provide for maximum air concentration in any user-defined, desired direction.

Material and Color		
Polyamide PA6 35% glass fiber reinforced Standard Color: black, similar to RAL 9005		
Technical Information		
912-100-0178		
Variations		
Part Number	Clip Range	Descriptions
334-220-0046	3 or 5 mm	RD 70 Black - Clip
334-220-0045	3 or 5 mm	RD 70 Black with 50 mm Ø Hose Adaptor



ROUND LOUVERS

RD 70

Printed widths (2.75"/ 70 mm diameter) closely mimic actual piece size



Pictured from top-to-bottom:

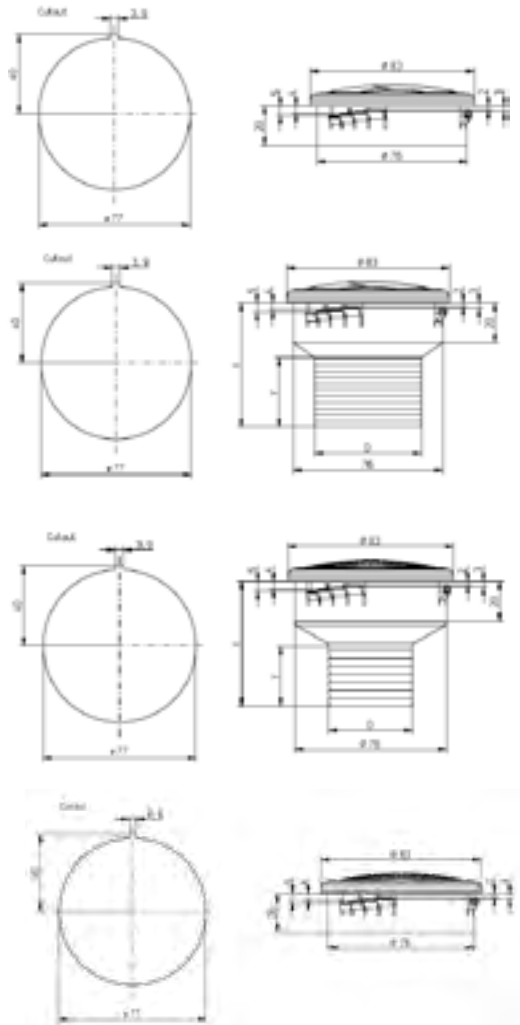
RD70 without Adaptor; RD70 with 50mm. Ø Hose Adaptor

ROUND LOUVERS

RD 83

Material & Color					
Polyamide PA6 35% glass fiber reinforcement Standard Color: black, similar to RAL 9005					
Technical Information					
912-100-0911 / 912-100-0505					
Variations					
Description	Subcategories	Part Number	D – Adaptor Ø	X (mm)	Y (mm)
Custom, Flaps Version with Clip Adaptor	RD 83 Standard Black no adaptor	334-220-0122	—	—	—
	Silver Ring Accent no adaptor	334-220-0123	—	—	—
	Chrome Ring Accent no adaptor	334-220-0154	—	—	—
Standard Black, Flaps Version with Clip & Hose Adaptor		334-220-0144	42 mm	62.5	30
		334-220-0145	50 mm	49	18
		334-220-0146	55 mm	62.5	35
		334-220-0147	60 mm	62.5	35
		334-220-0148	65 mm	63.5	38
		334-220-0149	70 mm	63	40
		334-220-0150	75 mm	50	28
Standard Black, Grill Version with Clip & Hose Adaptor		334-220-0155	42 mm	62.5	30
		334-220-0156	50 mm	49	18
		334-220-0157	55 mm	62.5	35
		334-220-0158	60 mm	62.5	35
		334-220-0159	65 mm	63.5	38
		334-220-0160	70 mm	63	40
		334-220-0161	75 mm	50	28
Custom, Grill Version with Clip	Standard Black	334-220-0142	—	—	—
	Silver Ring	334-220-0127	—	—	—
	Chrome Ring	334-220-0168	—	—	—

AURORA's RD 83 is built for the industry. This next generation louver comes standard with 2 mm, 3 mm, 4 mm, and 5 mm clip ranges. The RD 83's convex design allows for maximum air flow in any desired direction. Perfect for personal air flow, these round louvers are best used in dash and headliner applications. RD 83 also snaps closed for complete air shut off. Various color options for the Louver's outer ring are also available upon request (see title page for examples).



ROUND LOUVERS

RD 83

*Printed widths (3.25" / 83 mm. diameter) closely
mimic actual piece size*



Standard Black with Flaps & Clip Adaptor



Custom with Silver or Colored-Ring & Clip Adaptor



Custom with Chrome Ring & Clip Adaptor



Standard Black with Fixed Vanes / Grill &
Hose Adaptor



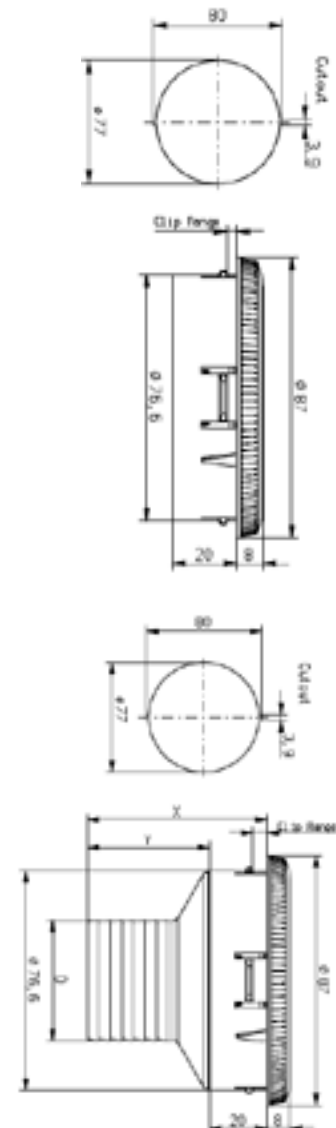
Standard Black with Flaps & Hose Adaptor

ROUND LOUVERS

RD 85

Material & Color				
Polyamide PA6 35% glass fiber reinforcement Standard Color: black, similar to RAL 9005				
Technical Information				
912-100-0911 / 912-100-0178				
Variations				
Description	Part Number	D – Adaptor Ø	X (mm)	Y (mm)
3 mm Clip Standard Black Flaps	334-220-0052	None	n/a	n/a
	335-220-0053	42 mm	62.5	30
	334-220-0054	50 mm	49	18
	334-220-0055	55 mm	62.5	35
	334-220-0084	60 mm	62.5	35
	334-220-0056	65 mm	63.5	38
	334-220-0057	70 mm	63	40
	334-220-0058	75 mm	50	28
5 mm Clip Standard Black Flaps	334-220-0013	None	n/a	n/a
	334-220-0024	42 mm	62.5	30
	334-220-0025	50 mm	49	18
	334-220-0026	55 mm	62.5	35
	334-220-0083	60 mm	62.5	35
	334-220-0027	65 mm	63.5	38
	334-220-0028	70 mm	63	40
	334-220-0029	75 mm	50	28
3 mm Clip featuring Grey Flaps	334-220-0108	—	—	—
3 mm. Clip Standard Black Grill	334-220-0060	None	-	-
	334-220-0061	42 mm	62.5	30
	334-220-0062	50 mm	49	18
	334-220-0063	55 mm	62.5	35
	334-220-0064	65 mm	63.5	38
	334-220-0065	70 mm	63	40
	334-220-0066	75 mm	50	28
5 mm. Clip Standard Black Grill	334-220-0075	None	-	-
	334-220-0076	42 mm	62.5	30
	334-220-0077	50 mm	49	18
	334-220-0078	55 mm	62.5	35
	334-220-0079	65 mm	63.5	38
	334-220-0080	70 mm	63	40
	334-220-0081	75 mm	50	28

This particular, robust round 85 mm louver is intended for use in multiple locations (headliners, dash panels, cabin floor). With either a 3 mm or 5 mm clip range, *RD 85* can easily snap into most surfaces. The 360° rotation of the louver provides maximum air concentration in most every desired direction. *RD85*'s rugged design is ideal for heavy machinery, especially whenever durability matters most.



ROUND LOUVERS

RD 85

Printed widths (3.34" / 85 mm. diameter) closely mimic actual piece size



ROUND LOUVERS

RD 95

AURORA's round louver *RD 95* is built for the industry. This next generation louver comes standard with 2 mm, 3 mm, 4 mm, and 5 mm clip ranges. The *RD 95*'s convex design allows for maximum air flow in most any desired direction. Awesome for personal airflow, these round louvers are best used in dash and headliner applications. The *RD 95* also snaps closed for complete air shut off.

Material & Color

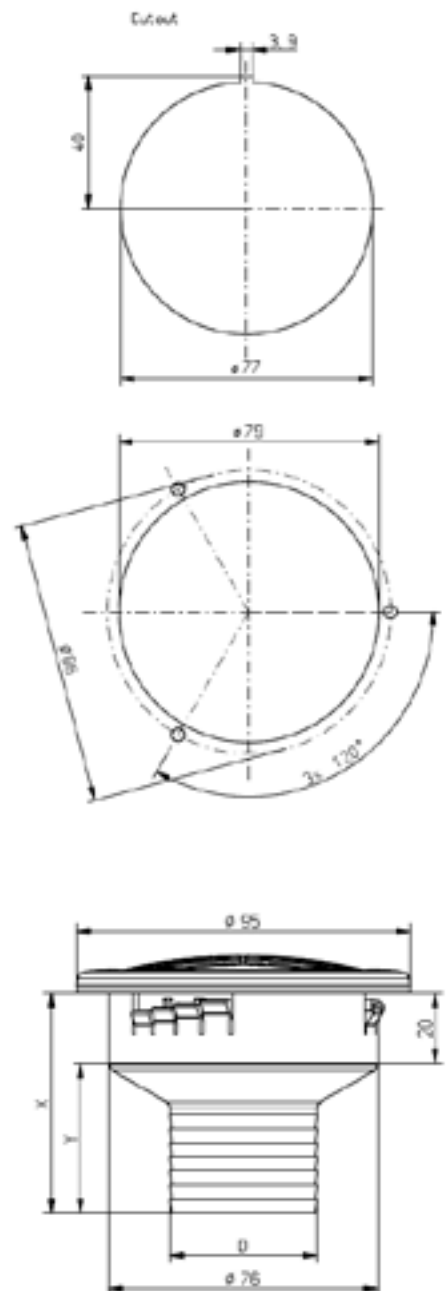
Polyamide PA6 35% glass fiber reinforcement
Standard Color: black, similar to RAL 9005

Technical Information

912-100-1041

Variations

Description	Part Number	D – Adaptor Ø	X (mm)	Y (mm)
Flaps Ver- sion Stand- ard Black	334-220-0136	No Adaptor	60.5	20
	334-220-0178	42 mm	62.5	30
	334-220-0179	50 mm	49	18
	334-220-0180	55 mm	62.5	35
	334-220-0181	60 mm	62.5	35
	334-220-0182	65 mm	63.5	38
	334-220-0183	70 mm	63	40
	334-220-0184	75 mm	50	28
Grill Ver- sion Stand- ard Black	334-220-0177	No Adaptor	60.5	20
	334-220-0185	42 mm	62.5	30
	334-220-0186	50 mm	49	18
	334-220-0187	55 mm	62.5	35
	334-220-0188	60 mm	62.5	35
	334-220-0189	65 mm	63.5	38
	334-220-0190	70 mm	63	40
	334-220-0191	75 mm	50	28



ROUND LOUVERS

RD 95

Printed widths (3.74" / 95 mm. diameter) closely mimic actual piece size

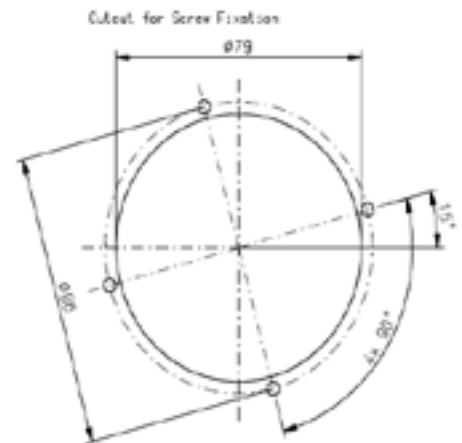
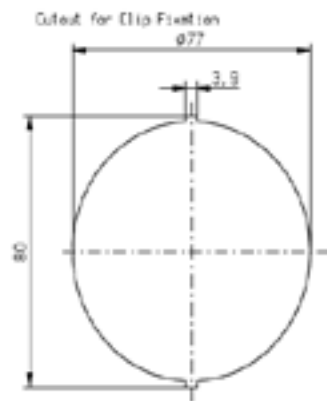


ROUND LOUVERS

RD 100

RD 100 is available either with or without adaptors. The robust round 100.0 mm diameter Louver is intended for use in headliners or dash consoles. This Louver is built for durability and massive spot airflow. Its multiple fixation capabilities also make this louver extremely adaptable. With a standard 3 mm clip range, this component easily snaps into most surfaces. For headliners and dash cutouts greater than a 3 mm thickness, the RD 100 can also be fixed into position via screw holes in the mounting base. The 360° rotation of RD 100 louver provides maximum air flow in most any desired direction.

Material & Color				
Polyamide PA6 35% glass fiber reinforcement Standard Color: black, similar to RAL 9005				
Technical Information				
912-100-0699 (Nexus) / 912-100-0178 (Flaps Traditional) / 912-100-0505 (Grill)				
Variations				
Description	Part Number	D – Adaptor Ø	X (mm)	Y (mm)
Flaps Version Traditional Bezel	334-220-0016	No Adaptor	n/a	n/a
	334-220-0017	41.5 mm	62.5	30
	334-220-0018	50 mm	49	18
	334-220-0019	55 mm	62.5	35
	334-220-0082	60 mm	62.5	35
	334-220-0020	65 mm	62.5	38
	334-220-0021	70 mm	63	40
	334-220-0022	75 mm	50	28
Flaps Version Nexus with 0.5-9 mm. clip range	334-220-0102	No Adaptor	n/a	n/a
Grill Version Traditional Bezel	334-220-0067	No Adaptor	n/a	n/a
	334-220-0069	41.5 mm	62.5	30
	334-220-0070	50 mm	50	18
	334-220-0071	55 mm	62.5	35
	334-220-0086	60 mm	62.5	35
	334-220-0072	65 mm	63.5	38
	334-220-0073	70 mm	63	40
	334-220-0074	75 mm	50	28



ROUND LOUVERS

RD 100

Printed widths closely mimic actual piece size.

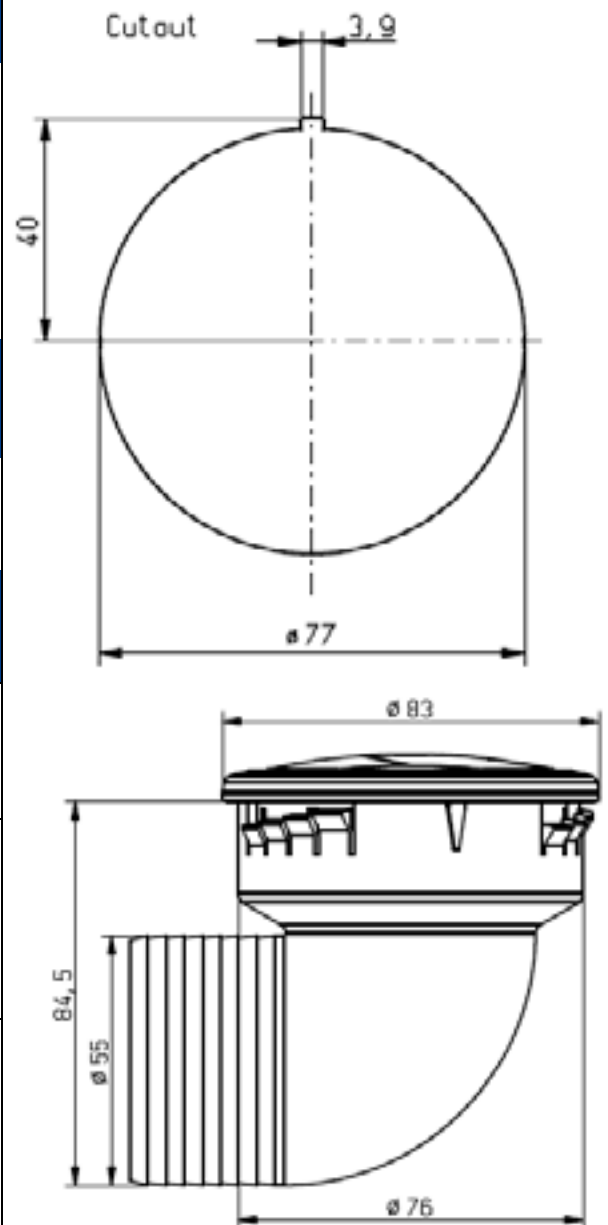


ROUND LOUVERS

SPECIALTY WITH 90° ADAPTERS

This Louver features a specialty, 90 degree hose adapter to accommodate attachment to spaces, which are otherwise not reachable in any other manner. Representing yet another significant sign of the AURORA Group’s flexibility factored into the design of its standard component Solutions.

Material and Color	
Polyamide PA6 35% glass fiber reinforced Standard Color: black, similar to RAL 9005	
Technical Information	
912-100-0911 + 912-100-0505	
Variations	
Part Number	Description
334-220-0162	RD 100.55 - 3 mm clip Grill Version with 90° adaptor
334-220-0163	RD 83.55 – 2/3/4/5 mm Clip version with 90° adaptor



ROUND LOUVERS

SPECIALTY WITH 90° ADAPTERS

Printed dimensions of photographs no longer mimic actual size.



ROUND LOUVERS

RD 120

As the largest Round Louver in AURORA's variety, this Round 120.0 mm diameter Louver is intended for use in multiple locations (headliners, dash panels, foot spaces). *RD120* has a standard 3 mm Clip Range. Coupled with screw fastening capabilities, this component can easily be mounted into any surface. The 360 degree rotation of the louver provides maximum air concentration in most every desired direction. This gigantic louver is specially designed for near zero breakages across even the roughest, most rugged environments.

Material and Color

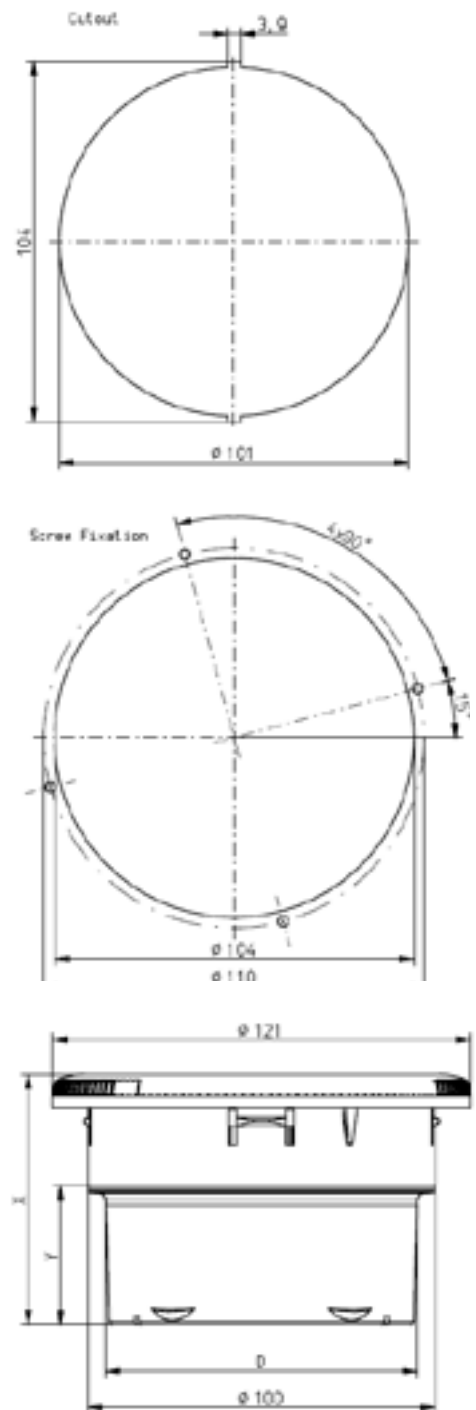
Polyamide PA6 35% glass fiber reinforced
Standard Color: black, similar to RAL 9005

Technical Information

912-100-0178

Variations

Part Number	D Adaptor Ø (mm)	X (mm)	Y (mm)
334-220-0030	None	29	n/a
334-220-0090	90	72	40



ROUND LOUVERS

RD 120

Printed dimensions (4.72" / 120 mm diameter) closely mimic actual piece size



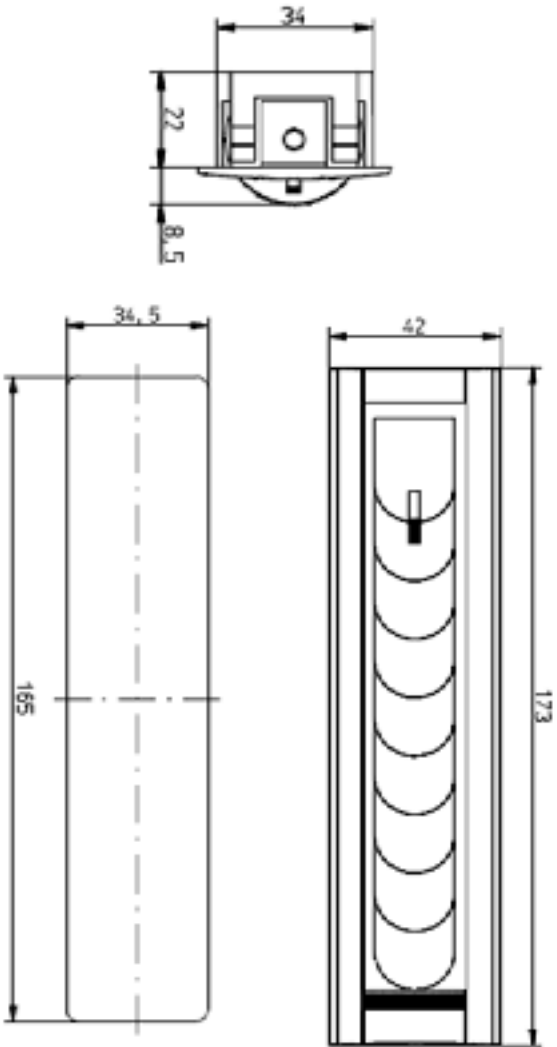
RECTANGULAR LOUVERS

THIN LOUVER

AURORA's Thin Louver incorporates a slim design for installation in spaces where room is scarce. The roll function allows the operator adjust the direction of airflow to the desired destination. The flap control also adds to the adjustability. When closed, the louver is completely shut.

Thin Louvers have excellent flow characteristics in a compact size and are ideal in the support posts or even to utilize as a defrost louver.

Material and Color	
Polyamide PA6 35% glass reinforced Standard Color: black, similar to RAL 9005	
Technical Information	
912-100-0469	
Variations	
Part Number	Description
334-315-0002	Thin Louver Black



RECTANGULAR LOUVERS

THIN LOUVER

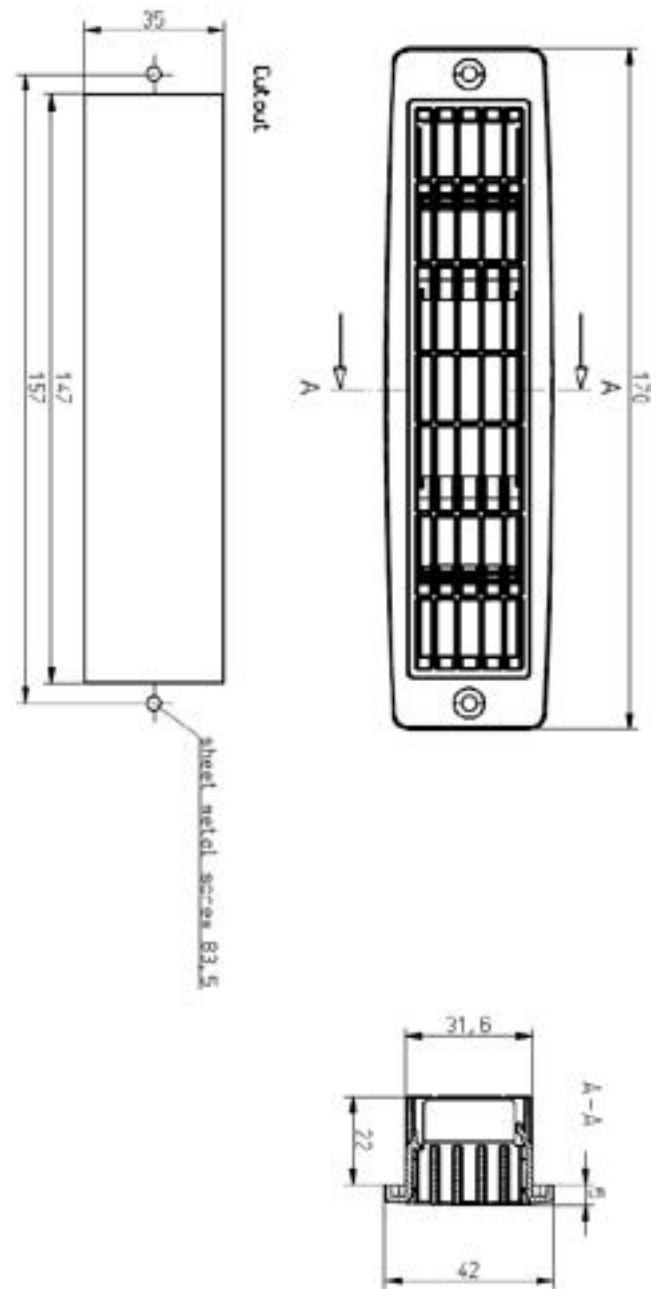


RECTANGULAR LOUVERS

VECTOR NOZZLE

AURORA's Vector Nozzle is the ultimate defrost or under the seat louver. With fixed vanes to optimize airflow over the desired surface area, the Vector was designed for defrosting and defogging glass. This component also doubles as a great below the seat option. With a faceplate, this grill prevents any foreign objects from entering the ducting while the spindle allows the operator the option for complete air shut-off in order to allocate maximum air flow to additional areas of the operating environment.

Material and Color	
Polyamide PA6 35% glass reinforced Standard Color: black, similar to RAL 9005	
Technical Information	
912-100-0950	
Variations	
Part Number	Description
334-150-0014	Screw Version Flaps
334-150-0017	Clip Version Flaps
334-150-0016	Screw Version Fix Grill
334-150-0018	Clip Version Fix Grill



RECTANGULAR LOUVERS

VECTOR NOZZLE

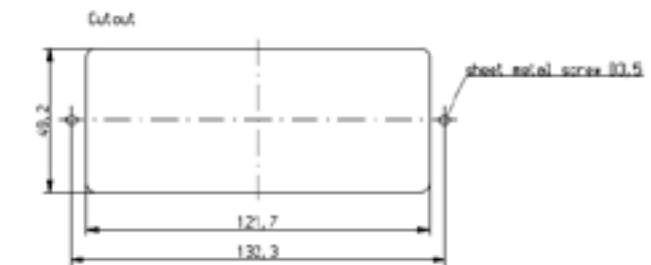
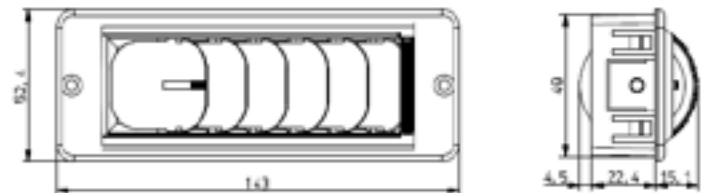
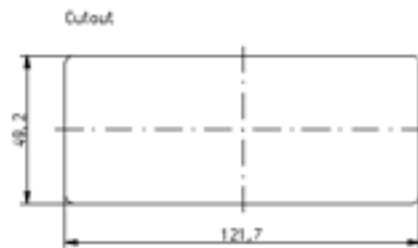
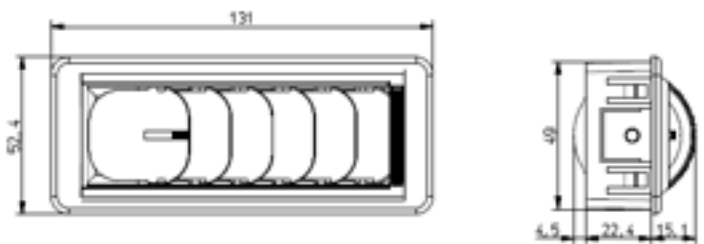


RECTANGULAR LOUVERS

SMALL LOUVER I

AURORA's Small Louver has a narrow bezel with vanes that open, close, and roll, providing excellent air distribution. The rugged design allows these louvers to be placed in all locations of the cab. Both the screw and clip versions provide easy mounting options for versatile usage. The Small Louver is an excellent option for headliners, dash panels, and A or B pillars.

Material and Color	
Polyamide PA6 35% glass fiber reinforced Standard Color: black, similar to RAL 9005	
Technical Information	
912-100-0066 / 912-100-0176 / 912-100-0234	
Variations	
Part Number	Attachment
334-314-0003	Screw
334-314-0004	Clip
334-314-0023	Screw type, increased frame width 59 mm



RECTANGULAR LOUVERS

SMALL LOUVER I

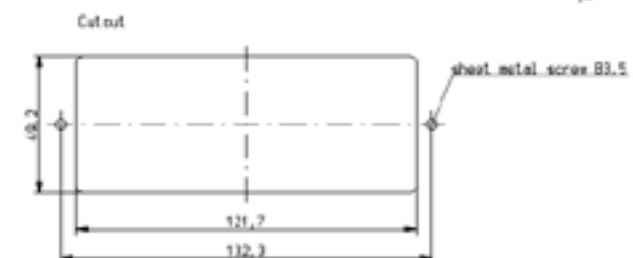
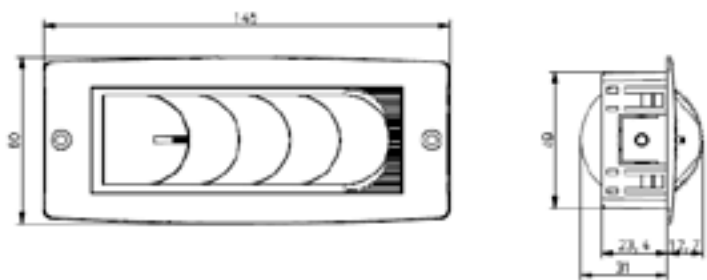
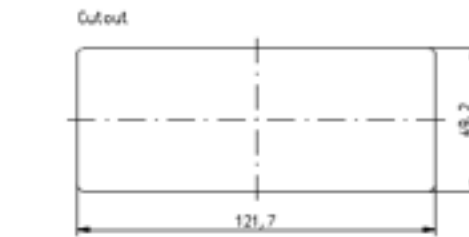
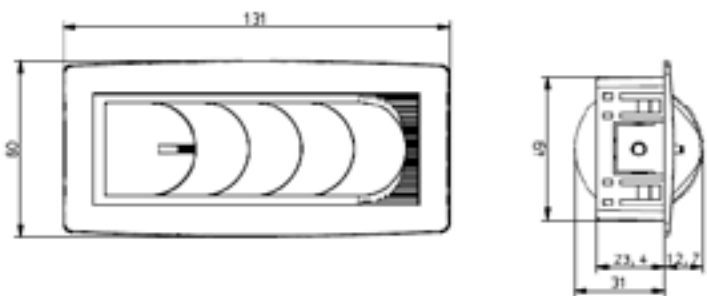


RECTANGULAR LOUVERS

SMALL LOUVER II

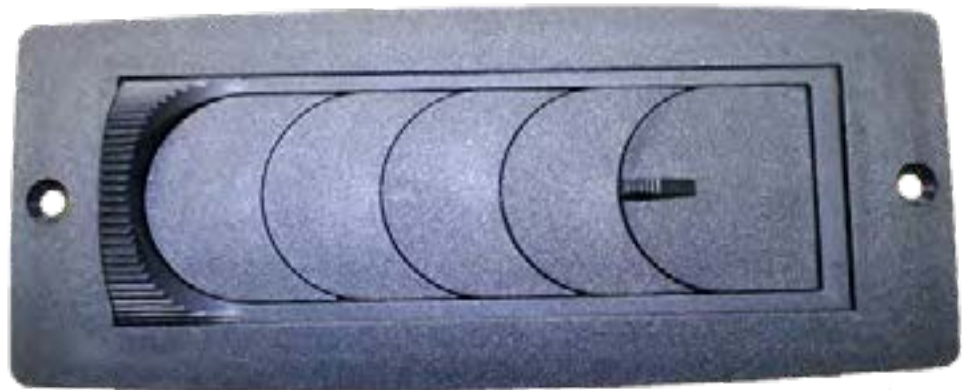
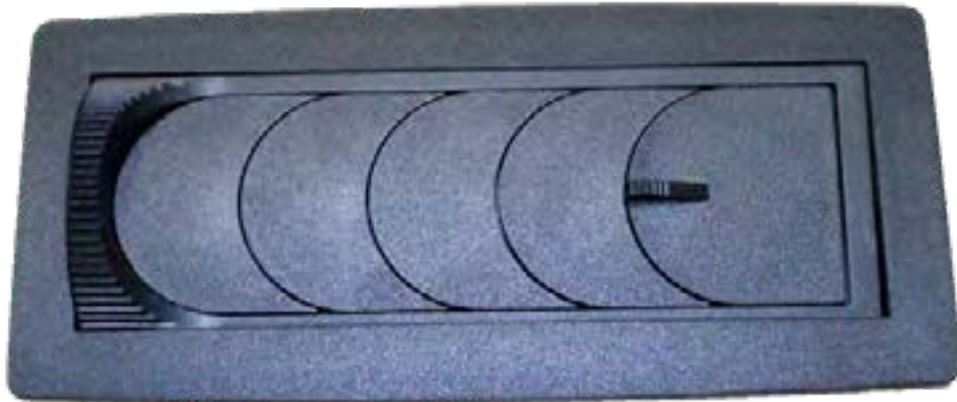
AURORA's newest edition to the Small Louver family. This edition has a new facelift with arched bezels for a modern looking design. Coupled with the same durability and features as the rest of the family, these louvers are a universal rectangular solution to all locations in the cab. Both the screw and clip versions provide easy mounting options for versatile usage. The Small Louver II is an excellent option for headliners, dash panels, and A or B pillars.

Material and Color	
Polyamide PA6 35% glass reinforced Standard Color: black, similar to RAL 9005	
Technical Information	
912-100-0912	
Variations	
Part Number	Attachment
334-314-0020	Clip
334-314-0021	Screw



RECTANGULAR LOUVERS

SMALL LOUVER II

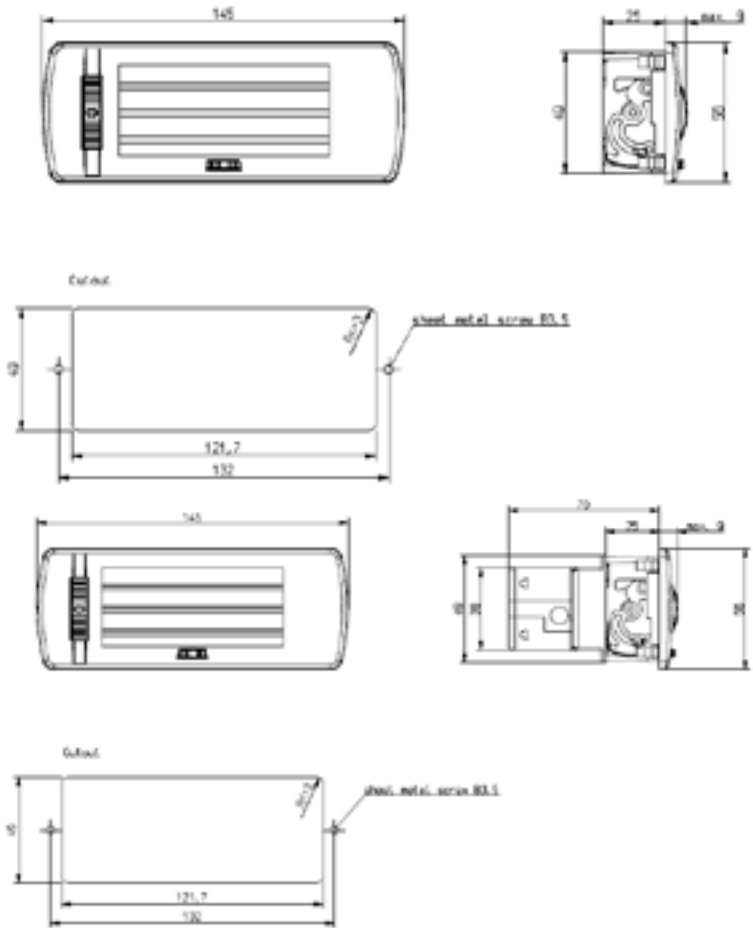


RECTANGULAR LOUVERS

AERO LOUVER

AURORA's Aero Louver serves multiple functions for cabin air distribution. This louver caters to cab builders and designers who do not wish to have visible screws in their vehicles. Once the base of the louver is installed, a clip-on face plate hides the screws from view inside the cabin. The Aero louver also has dual wheels for adjusting airflow direction to ensure operator comfort. This louver is a great option for headliner and console applications, as well as under-seat personal air distribution.

Material and Color	
Polyamide PA6 35% glass fiber reinforced Standard Color: black, similar to RAL 9005	
Technical Information	
912-100-0404	
Variations	
Part Number	Attachment
334-314-0050	Screw
334-314-0052	Screw with Hose Adaptor



RECTANGULAR LOUVERS

AERO LOUVER



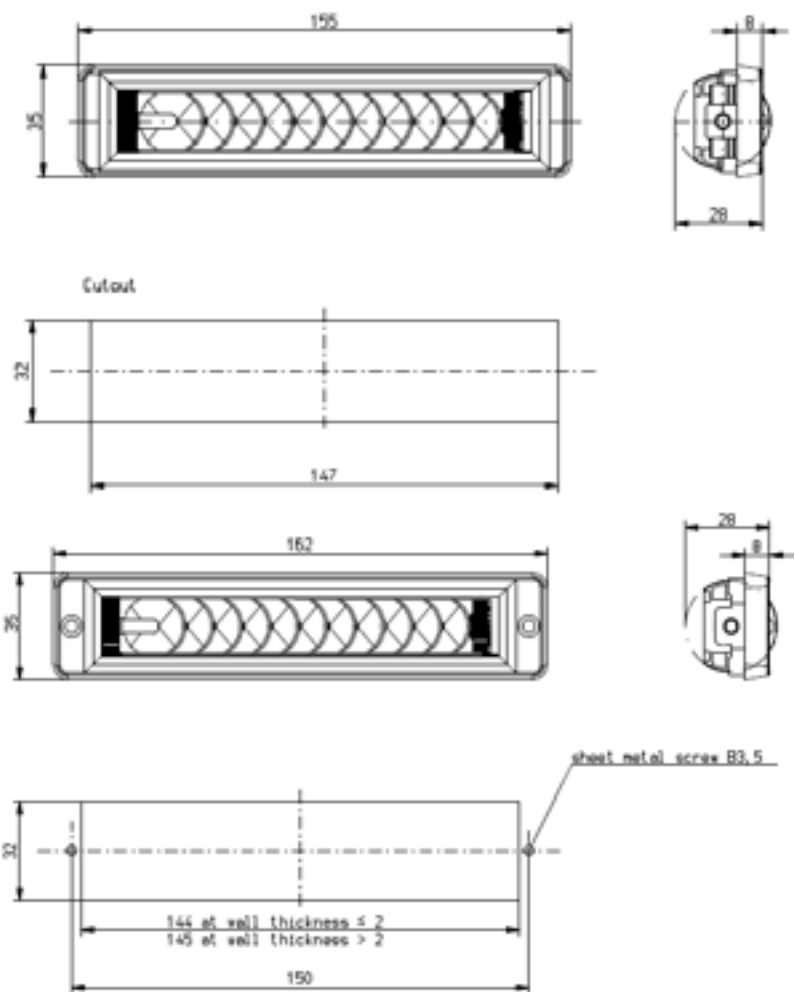
RECTANGULAR LOUVERS

STANDARD ROLL NOZZLE

AURORA's Roll Nozzle offers a slim profile allowing this Louver to be located near the wind shield for defrost applications. The inner roll rotates enabling even more flexible air distribution. The roll can also be closed to block airflow through the louver.

AURORA's Roll Nozzle has a slim profile allowing it to be located near the wind shield for defrost applications. The inner roll rotates allowing flexible air distribution. The roll can also be rotated to close off of the air through the louver. This particular roll nozzle has a wider frame to cover up unclean cut outs and frayed edges in the dash.

Material and Color	
Polyamide PA6 35% glass fiber reinforced Standard Color: black, similar to RAL 9005	
Technical Information	
912-100-0177 Standard / 912-100-0142 Special Frame	
Variations	
Part Number	Attachment
334-341-0001	Clip
334-341-0002	Screw
334-341-0007	Screw; Special Frame



RECTANGULAR LOUVERS

STANDARD ROLL NOZZLE



RECTANGULAR LOUVERS

DOUBLE ROLL NOZZLE

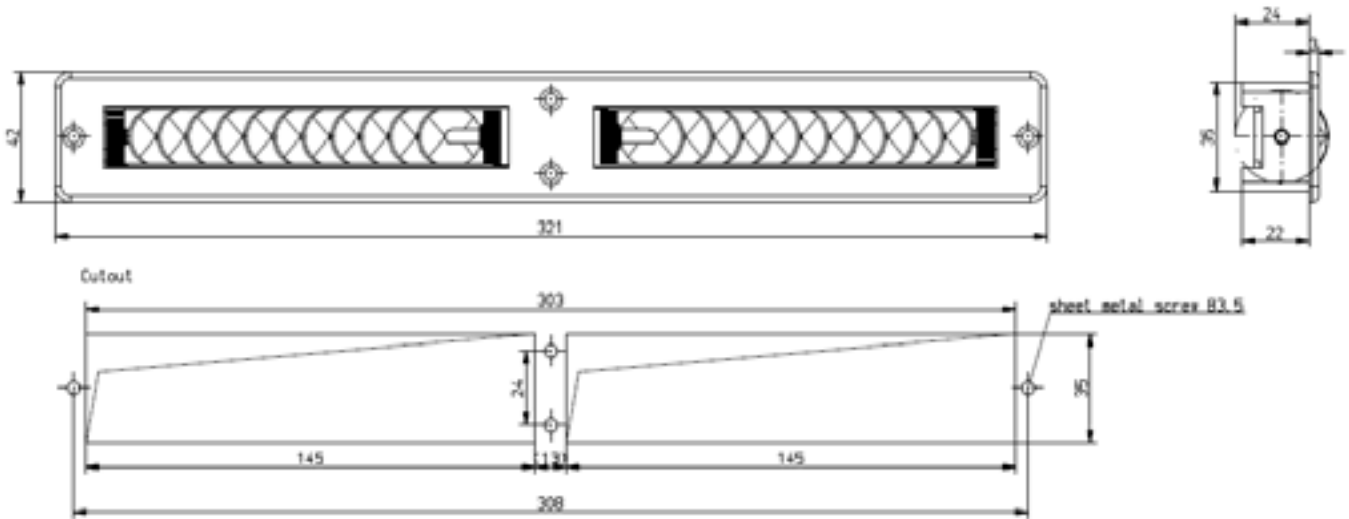
AURORA's Roll Nozzle has a slim profile allowing it to be located near the windshield for defrost applications. The inner roll rotates allowing flexible air distribution. The roll can also be rotated to close of the air through the louver. The Double Roll Nozzle is an excellent option for dash panels.

Material and Color	
Polyamide PA6 35% glass fiber reinforced Standard Color: black, similar to RAL 9005	
Technical Information	
912-100-0142	
Variations	
Part Number	Attachment
334-341-0008	Screw – Double Roll



RECTANGULAR LOUVERS

DOUBLE ROLL NOZZLE



DEFROST LOUVERS

QUARTER CIRCLE VENT

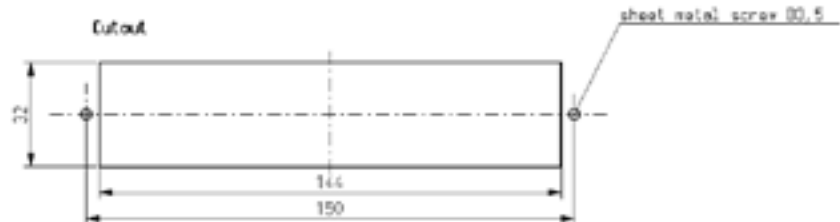
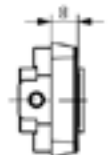
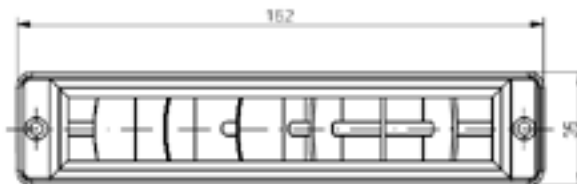
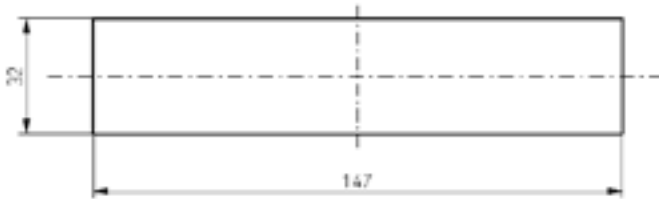
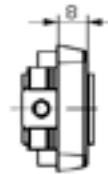
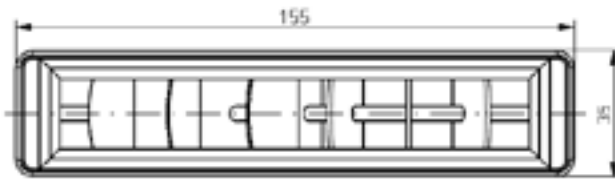
AURORA's Quarter Circle Vent has a fixed vane profile that evenly distributes airflow, making it ideal for defrost applications. This louver is most suitable for dashboard and window edge applications where defrost functionality is key.

Material and Color	
Polyamide PA6 35% glass fiber reinforced Standard Color: black, similar to RAL 9005	
Technical Information	
912-100-0185	
Variations	
Part Number	Attachment
334-150-0001	Clip
334-150-0002	Screw



DEFROST LOUVERS

QUARTER CIRCLE VENT



DEFROST LOUVERS

PD NOZZLE

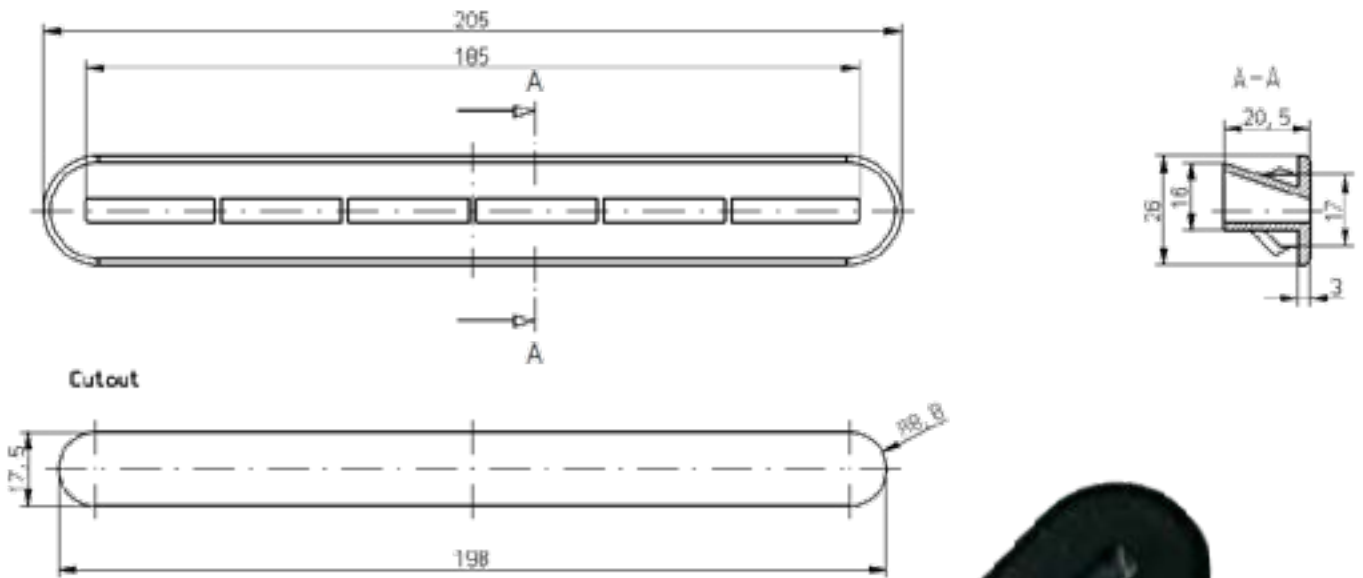
The *PD Nozzle* is a defrost louver designed to be installed nearest the windshield. Resulting from a sleek profile design, *PD* makes an excellent addition to include in any dash board or headliner. Integrated guide vanes distribute optimal airflow along the surface. Various sizes are available upon request.

Material and Color	
ABS Plastic Standard Color: black, similar to RAL 9005	
Technical Information	
912-100-0323	
Variations	
Part Number	Description
334-150-0003	PD Long Louver



DEFROST LOUVERS

PD NOZZLE



DEFROST LOUVERS

PD2 LOUVER LONG

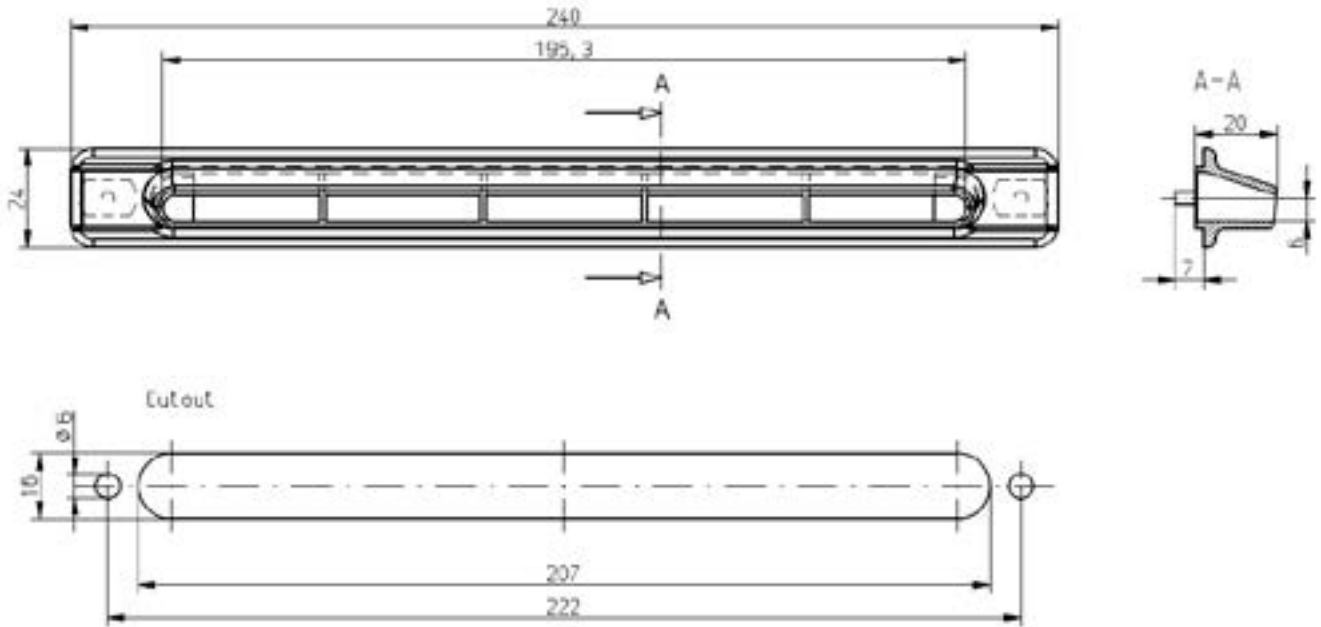
The *PD Nozzle* is a defrost louver designed to be installed close to the windshield. As a result of its slim profile, it is an excellent product to be incorporated into a dash board or headliner. Integrated guide vanes distribute optimal airflow along the surface. Various sizes are available upon request.

Material and Color	
ABS Plastic Standard Color: black, similar to RAL 9005	
Technical Information	
912-100-0323	
Variations	
Part Number	Description
334-150-0005	PD2 Long Louver



DEFROST LOUVERS

PD2 LOUVER LONG



DEFROST LOUVERS

PD SHORT

The *PD Short* is a defrost louver designed to be installed close to the windshield. As a result of its slim profile, it is an excellent product to be incorporated into a dash board or headliner. Integrated guide vanes distribute optimal airflow along the surface. Various sizes are available upon request.

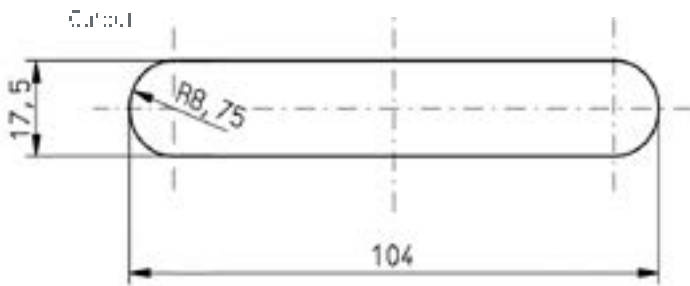
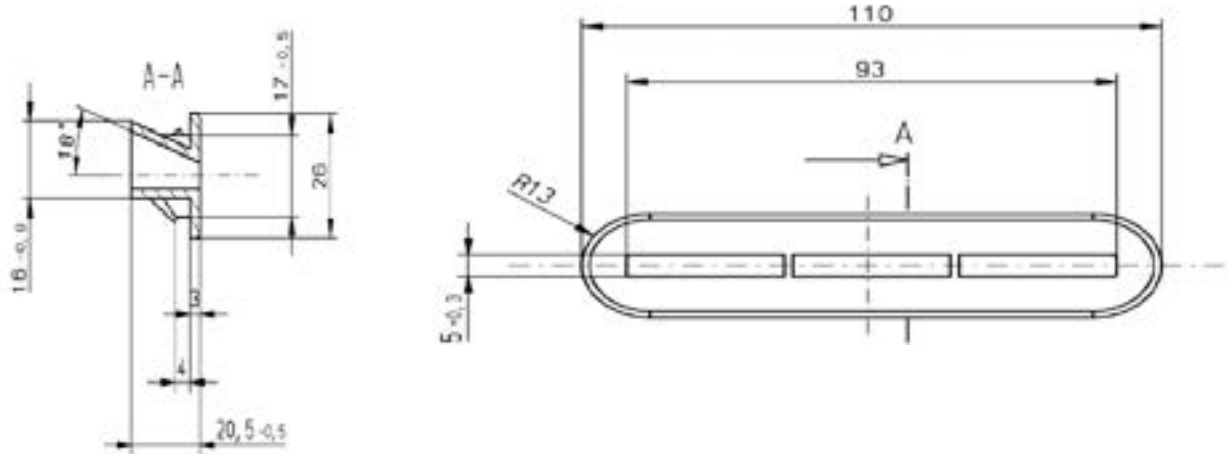
Material and Color	
ABS Plastic Standard Color: black, similar to RAL 9005	
Technical Information	
912-100-0323	
Variations	
Part Number	Description
334-150-0004	PD Short Louver



DEFROST LOUVERS

PD SHORT

Printed dimensions closely mimic actual piece size.



DEFROST LOUVERS

DOMINO

The *Domino* Louver's compact dimensions allow for ideal defrost applications. Their sleek design allows these louvers to adapt to the curve and width of any surface with minimal space requirements.

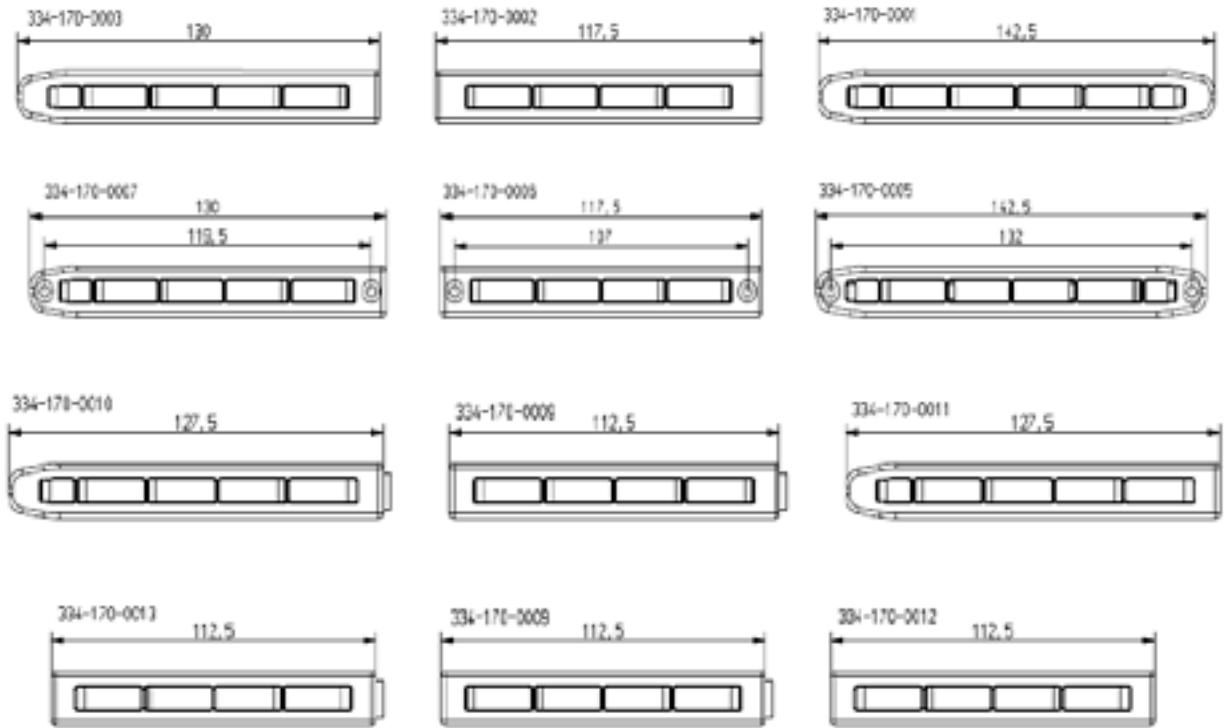
Domino louvers are optimal for bus and coach applications, as they can be stacked and chained in a tongue and groove system in order to distribute airflow over a larger surface area. *Domino* is available in both clip and screw versions with clip ranges between 2 mm and 5 mm.

Material and Color
Polyamide PA6 15% glass fiber reinforced Standard Color: black, similar to RAL 9005
Technical Information
912-100-0186
Variations
Please reference Drawings on page 129



DEFROST LOUVERS

DOMINO



WATER VALVES

MASTERS OF LIQUID FLOW



AUROLA

/ Pioneering Your Comfort



WATER VALVES

MECHANICAL BOWDEN CABLE

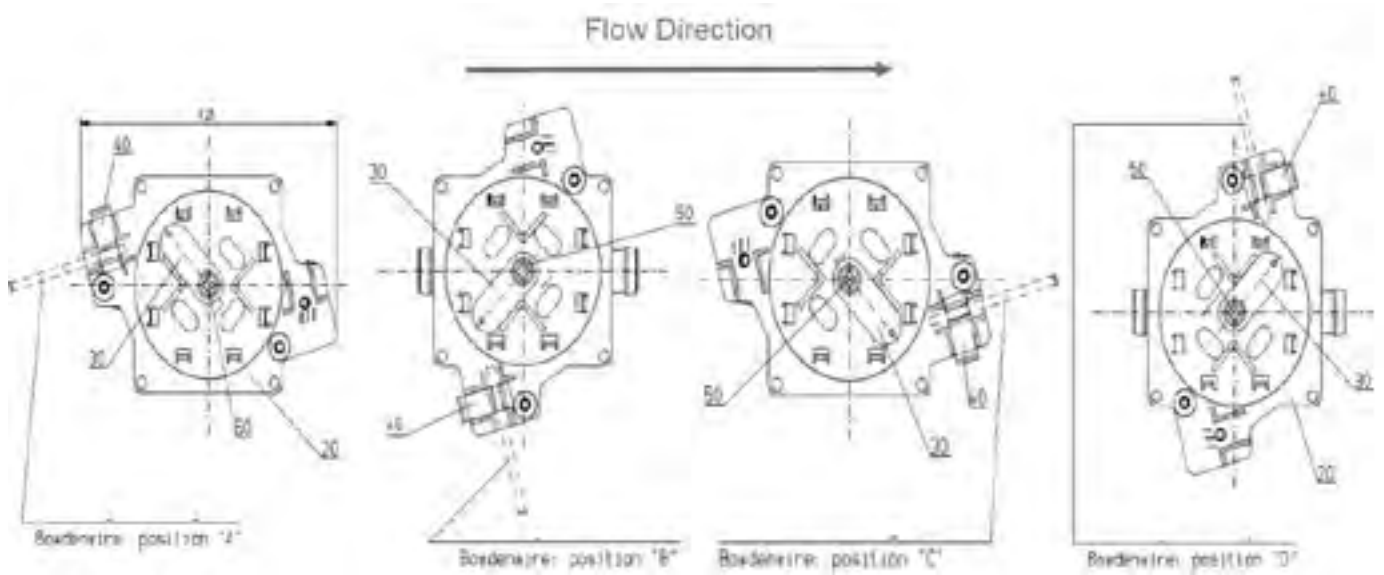
Mechanical Water Valves control the heating performance via easy adjustable Bowden Cables. Standard connection diameters are \varnothing 16 mm / 18 mm / 22 mm / 28 mm. Varied connecting diameters are also available upon request. This water valve has mostly linear operating characteristics, and operates efficiently with a minimum pressure loss. The valve housing is comprised of Polyamide 66 Material, providing AURORA's line of water valves with lightweight and non-corrodible qualities.

Specifications	
<p>Flow medium: water with antifreeze (mixture ratio max. 1:1) Volumetric flow: 100-1.200 l/h Operating temperature range: -40°C to +100°C fluid temp. Environmental temperature range: -40°C to +85°C Nominal pressure of liquid: p = 1 bar relative Test pressure of the water valve: p1 = 2.5 bar absolute</p>	
Technical Information	
912-100-0007	
Variations	
Part Number	Description
381-000-0141	\varnothing 16/16 with lever Bowden Wire Pos. A
381-000-0142	\varnothing 16/16 with lever Bowden Wire Pos. B
381-000-0143	\varnothing 16/16 with lever Bowden Wire Pos. C
381-000-0144	\varnothing 16/16 with lever Bowden Wire Pos. D
381-000-0145	\varnothing 22/22 with lever Bowden Wire Pos. A
381-000-0146	\varnothing 22/22 with lever Bowden Wire Pos. B
381-000-0147	\varnothing 22/22 with lever Bowden Wire Pos. C
381-000-0148	\varnothing 22/22 with lever Bowden Wire Pos. D
381-000-0149	\varnothing 28/28 with lever Bowden Wire Pos. A
381-000-0150	\varnothing 28/28 with lever Bowden Wire Pos. B
381-000-0151	\varnothing 28/28 with lever Bowden Wire Pos. C
381-000-0152	\varnothing 28/28 with lever Bowden Wire Pos. D
381-000-0170	\varnothing 18/18 with lever Bowden Wire Pos. A
381-000-0171	\varnothing 18/18 with lever Bowden Wire Pos. B
381-000-0158	\varnothing 18/18 with lever Bowden Wire Pos. C
381-000-0172	\varnothing 18/18 with lever Bowden Wire Pos. D



WATER VALVES

MECHANICAL BOWDEN CABLE



WATER VALVES

5 POLE WITH SERVO MOTOR

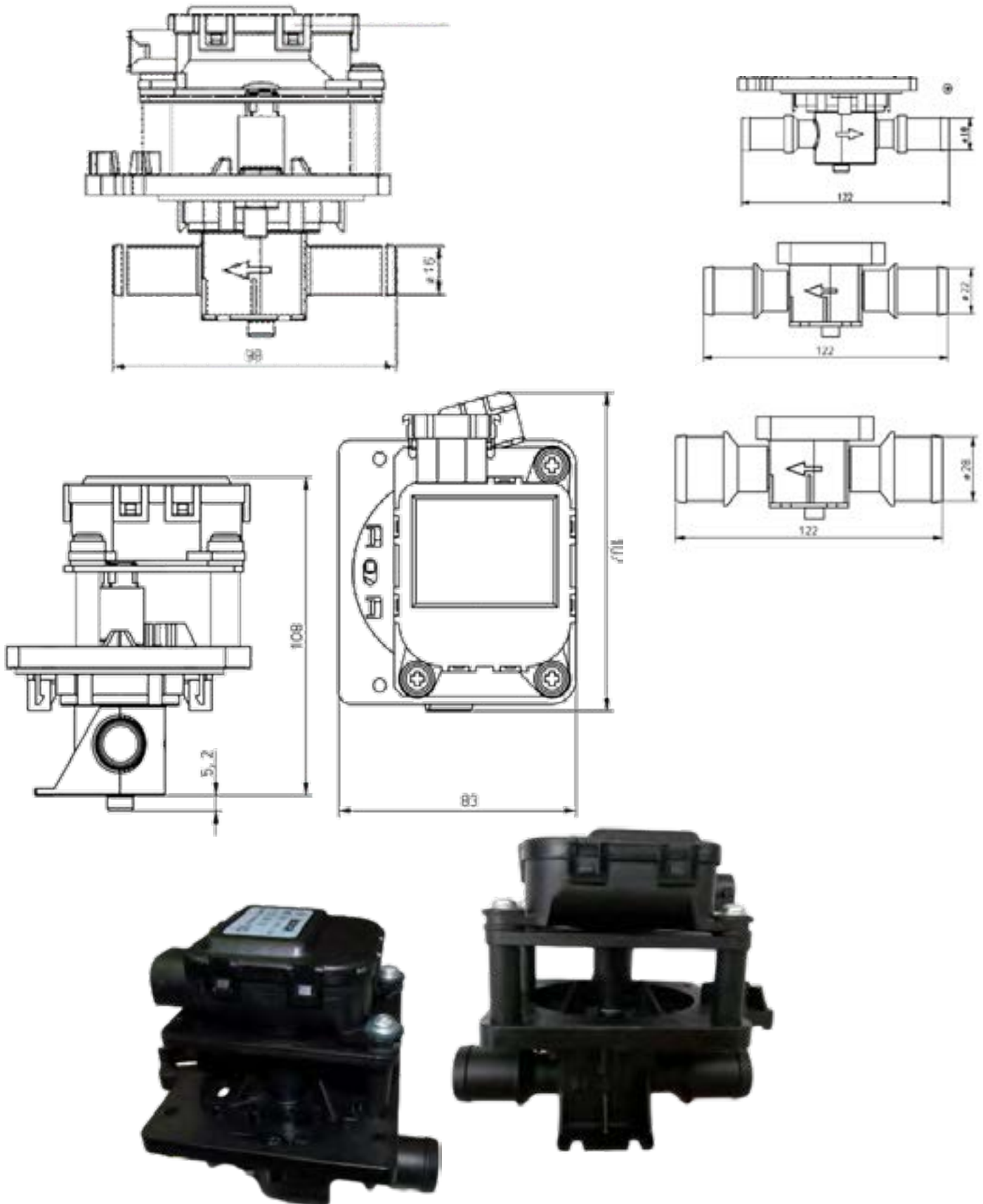
Electrical Water Valve with Servo Motor 5 Pole with varied diameters. Standard connection diameters are 16 mm / 18 mm / 22 mm / 28 mm. Control of this valve is steered by a 5-pole Servo Motor, providing easy adjustment of the heating performance. Varied connecting diameters are also available upon request. Servo Motors available in both 12 and 24 Volts. This water valve has mostly linear operating characteristics, and operates efficiently with minimum pressure loss. The valve housing is comprised of Polyamide 66 Material, giving AURORA's line of water valves with lightweight and non-corrodible qualities.

Specifications		
Flow medium: water with antifreeze with mix ratio max. 1:1		
Volumetric flow: 100-1.200 l/h		
Operating temperature range: -40°C to +100°C fluid temperature		
Environmental temperature range: -40°C to +85°C		
Nominal pressure of the fluid: p = 1 bar relative		
Test pressure of the water valve p1 = 2.5 bar absolute		
Technical Information		
912-100-0007/421		
Variations		
Part Number	Diameter Ø	Voltage (V)
381-000-0312	16/16	24 V
381-000-0350	16/16	12 V
381-000-0318	22/22	24 V
381-000-0352	22/22	12 V
381-000-0319	28/28	24 V
381-000-0354	28/28	12 V
381-000-0390	18/18	12 V
381-000-0339	18/18	24 V



WATER VALVES

5 POLE WITH SERVO MOTOR

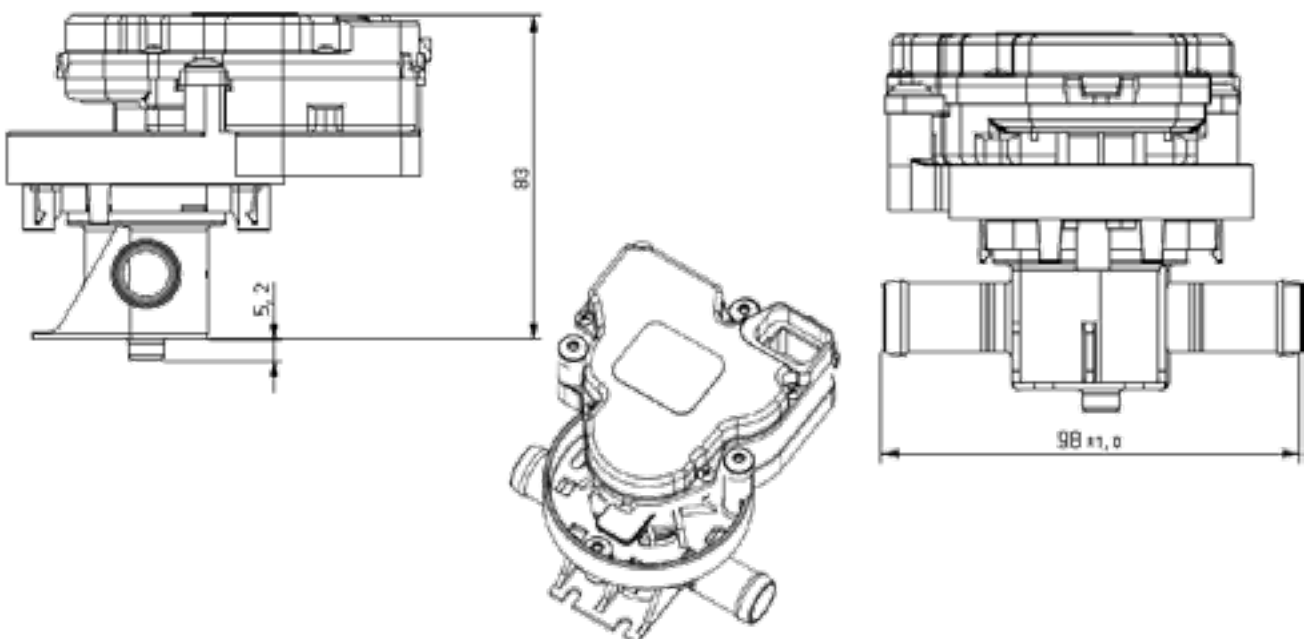


WATER VALVES

2-WAYS WITH 3 POLES SERVO MOTOR

Electrical Water Valve with Servo Motor 3 Pole with varied diameters. Control of this valve is direct by a control voltage to the Servo Motor, providing easy adjustment of the heating performance. Varied connecting diameters are also available upon request. This water valve has mostly linear operating characteristics, and operates efficiently with minimum pressure loss. The valve housing is comprised of Polyamide 66 Material.

Specifications		
Flow medium: water with antifreeze with mix ratio max. 1:1 Volumetric flow: 100-1.200 l/h Operating temperature range: -40°C to +100°C fluid temperature Environmental temperature range: -40°C to +85°C Nominal pressure of the fluid: p = 1 bar relative Test pressure of the water valve p1 = 2.5 bar absolute		
Technical Information		
912-100-0007/0957		
Variations		
Part Number	Diameter Ø	Voltage (V)
381-000-0401	16/16	24 V
381-000-0402	22/22	24 V
381-000-0451	16/16	12 V

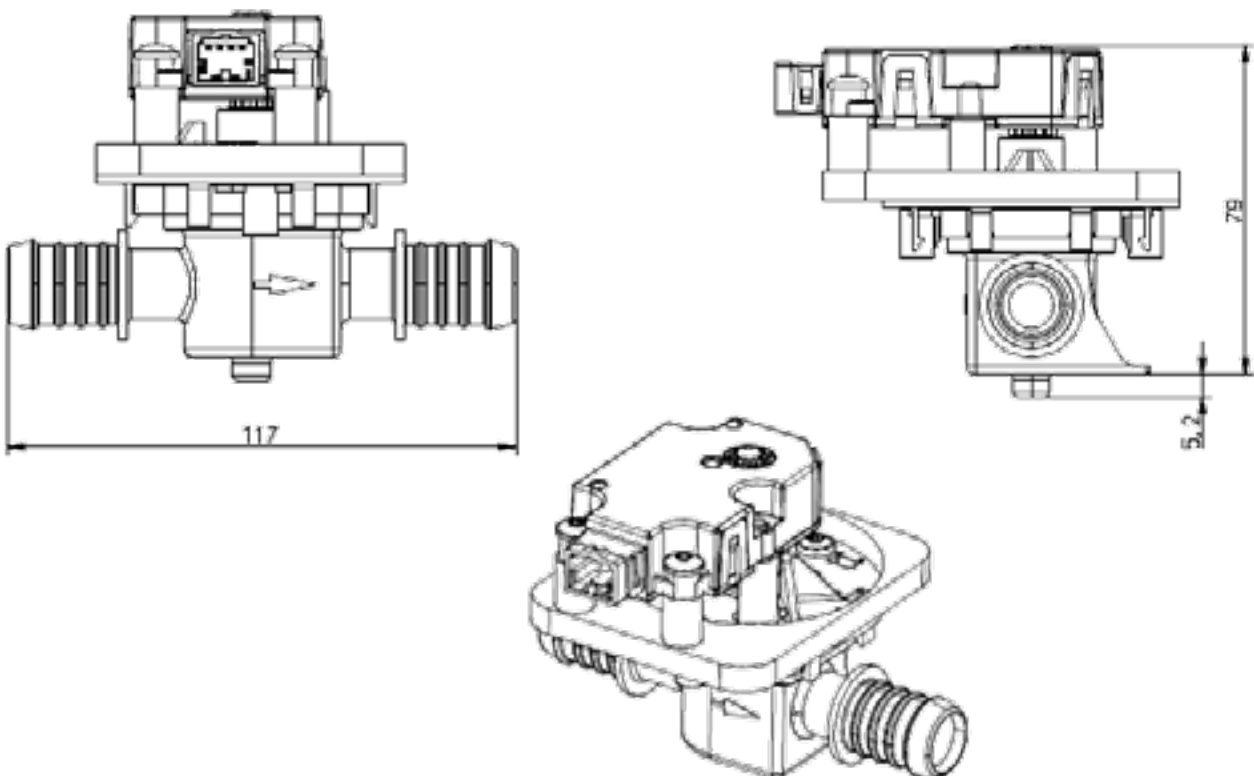


WATER VALVES

SERVO MOTOR LINBUS

Electrical Water Valve with Servo Motor LINBUS controlled. Control of this valve is by LINBUS signal, providing easy adjustment of the heating performance. Varied connecting diameters are also available upon request. This water valve has mostly linear operating characteristics, and operates efficiently with minimum pressure loss. The valve housing is comprised of Polyamide 66 Material.

Specifications		
Flow medium: water with antifreeze with mix ratio max. 1:1		
Volumetric flow: 100-1.200 l/h		
Operating temperature range: -40°C to +100°C fluid temperature		
Environmental temperature range: -40°C to +85°C		
Nominal pressure of the fluid: p = 1 bar relative		
Test pressure of the water valve p1 = 2.5 bar absolute		
Technical Information		
912-100-0007/0978		
Variations		
Part Number	Diameter Ø	Voltage (V)
381-000-0042	18/18	12 V



AURORA PRODUCT CATALOG 2024

CONTENTS:

4	COMPANY BACKGROUND
16	ELECTROMOBILITY SOLUTIONS
26	ROOFTOP MOUNTABLE UNITS
36	STANDARD HEATERS
48	CONVECTORS
52	BLOWERS
66	CONTROL PANELS
74	LOUVERS
116	WATER VALVES

- ELEKTROLIND -

Suomen Elektrolind Oy

Lautamiehentie 3, 02770 ESPOO

Puh. +358 9 512 2344

elektrolind@elektrolind.fi • www.elektrolind.fi